

Charmglow®

Owners Manual Manuel d'utilisation

Model No. / Modèle n°
200605C



U.S. Patent Number: 6,470,877
Brevet U.S. n° 6,470,877

While information in this manual is based on the latest information available at the time of publication, we reserve the right to change it at any time, without notice.

Bien que les informations contenues dans ce manuel constituent les informations disponibles les plus récentes au moment de sa publication, nous nous réservons le droit d'en modifier le contenu à tout moment et sans préavis.



WARNING
FOR YOUR SAFETY

For Outdoor Use Only
(Outside any enclosure)



MISE EN GARDE
POUR VOTRE SÉCURITÉ:

Pour usage à l'extérieur
seulement
(hors de tout espace clos)



WARNING
FOR YOUR SAFETY

Improper installation,
adjustment, alteration,
service or maintenance
can cause injury or property
damage. Read the installation,
operation and maintenance
instructions thoroughly before
installing or servicing this
equipment.



MISE EN GARDE
POUR VOTRE SÉCURITÉ:

Toute installation défectueuse
ou modification incorrecte
ainsi que tout mauvais réglage
ou entretien incorrect risque
d'entraîner des blessures ou
des dégâts matériels. Lire
complètement les instructions
d'installation, d'utilisation et
d'entretien avant de procéder à
la maintenance de l'appareil ou
à son entretien.



WARNING
FOR YOUR SAFETY

*For Outdoor Use Only
(Outside any enclosure)*



WARNING
FOR YOUR SAFETY

If you smell gas:
1. Shut off gas to the appliance.
2. Extinguish any open flame.
3. If odor continues, immediately call your gas supplier.



WARNING
FOR YOUR SAFETY

- 1. Gas leaks may cause a fire or explosion which can cause serious bodily injury or death, or damage to property.**
- 2. You must follow all leak checking procedures as outlined in step 12 before operating this unit.**
- 3. Never use an open flame to check for leaks.**



WARNING
FOR YOUR SAFETY

Do not store or use gasoline or other flammable vapors or liquids in the vicinity of this or any other appliance.



WARNING
FOR YOUR SAFETY

Improper installation, adjustment, alteration, service or maintenance can cause injury or property damage. Read the installation, operation and maintenance instructions thoroughly before installing or servicing this equipment



WARNING

California Proposition 65:
Chemicals known to the state of California to cause cancer, birth defects, or other reproductive harm are created by the combustion of propane.



WARNING
FOR YOUR SAFETY

- Purchaser assumes all risk in the assembly and operation of this unit. Failure to follow this manual's WARNINGS and instructions can result in severe personal injury, death or property damage.**
- Do not use in an explosive atmosphere. Keep heater away from areas where flammable liquids, gasoline, vapors, or explosives are stored or used.**

**Contact 1.800.762.1142 for assistance.
Do not return to place of purchase.**



Table of Contents

Safety First!	3
Component Listing & Hardware	5
General Components & Features	6
Assembly Instructions	
Additional Requirements	6
Step 1 Attach Legs to Base	6
Step 2 Attach Platform to Legs	7
Step 3 Attach Weight Plate to Base	7
Step 4 Insert Gas Line Through Platform / Attach Shroud Cover	8
Step 5 Attach Engine to Post	8
Step 6 Attach Engine/Post to Platform	9
Step 7 Connect Gas Line to Engine	9
Step 8 Assemble dome	10
Step 9 Attach dome to emitter	10
Step 10 Secure Gas Line	11
Step 11 Connect Gas Line To Tank	11
Step 12 Check for Leaks	12
Step 13 Replace Engine Access Panel	13
Step 14 Install Igniter Battery (Electronic Ignition Models Only)	13
Operation	
Before Turning Gas Supply ON	14
Before Lighting	14
Lighting	14
Re-Lighting	15
Shutdown	15
Operation Checklist	16
Troubleshooting	17
Maintenance	18
Storage	19
Service	19
Product Registration	19
Warranty	20
Specifications	21



The use and installation of this product must conform to local codes. In absence of local codes, use the National Fuel and Gas Code, ANSI Z223, 1/NFPA 54, Storage and Handling of Liquid Petroleum Gases, ANSI/NFPA 58 or CSA B149.1, Natural Gas and Propane Installation Code.

Save these instructions for future reference. If you are assembling this unit for someone else, give this manual to him or her to save for future reference.



Before you do anything else, read and understand all precautions in Safety First!



WARNING
FOR YOUR SAFETY

- **Purchaser assumes all risk in the assembly and operation of this unit. Failure to follow this manual's WARNINGS and instructions can result in severe personal injury, death or property damage.**
- **Do not use in an explosive atmosphere. Keep heater away from areas where flammable liquids, gasoline, vapors, or explosives are stored or used.**

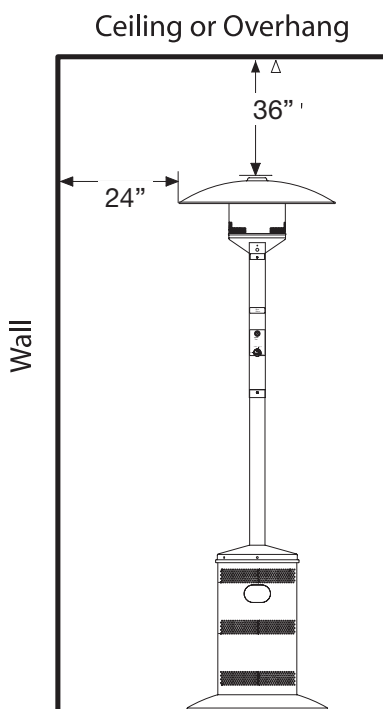
Safety First!

Read and become familiar with this entire manual, especially the following precautions.

If you are unsure of anything in these instructions, STOP and contact 1.800.762.1142 for assistance.

Caution: This appliance is for outdoor use only (outside any enclosure). Always make sure there is fresh air ventilation.

- Always maintain at least 36" clearance (top) and 24" clearance (side) from combustible materials.
- Always place heater on a hard and level surface.
- Do not use if the wind velocity is greater than 10 miles per hour.
- Unit will operate at reduced efficiency below 40°F (5°C).
- Keep sprinklers and other water sources away from burner and controls.
- **Always use extreme caution when near heater. Alert both children and adults to the hazards of high temperatures, especially to avoid burns or clothing catching fire.**
- **Young children and pets should be carefully supervised when they are in the area of heater.**
- **Do not hang clothing or other flammable materials either on or near heater.**
- **Any guard or other protective device removed for servicing the heater must be replaced prior to operating the heater.**
- Certain materials or items, when stored under heater, will be subjected to radiant heat and could be seriously damaged.
- Do not alter heater in any manner.
- The pressure regulator and hose assembly supplied with the appliance must be used and replacements must be those specified by the manufacturer.
- Inspect heater before each use. If a damaged part is detected, do not operate until an original equipment replacement part has been properly installed. Use of unauthorized parts will void warranty and create an unsafe condition.
- Do not attempt to use this appliance without a functional factory-supplied gas regulator in place. If regulator becomes damaged, use only a factory-supplied replacement.
- Prior to operating heater, replace any guards or protective devices removed for servicing.
- During operation, do not touch burner assembly. The surface of heater's emitter can reach temperatures approaching 1600°F.
- After shutdown, do not touch burner assembly until heater has cooled (approximately 45 minutes after use).



Notice: This product should not be used with any fuel other than liquid propane. Use of other fuels will detract from heaters performance and will void your warranty.

**Contact 1.800.762.1142 for assistance.
Do not return to place of purchase.**

Charmglow®

Caution: Liquid propane (LP) gas is flammable and hazardous if handled improperly. Become aware of the characteristics before using any LP product.

- LP Characteristics – Flammable, explosive under pressure, heavier than air - settles in pools in low areas.
- In its natural state, propane has no odor. For your safety, an odorant is added that smells like rotten cabbage.
- Contact with LP can cause freeze burns to skin.
- This heater is shipped from the factory for LP gas use only.
- Use only Department of Transportation (DOT) approved “20 lb.” LP gas tanks (same as those commonly used on gas grills) with Acme / Type 1 / QCC safety valves. These valves can be quickly identified because they have external and internal threads.
- Never use an LP tank with a damaged body, valve, collar, or footing.
- Dented or rusted LP tanks may be hazardous and should be checked by your LP gas supplier.
- The tank supply system must be arranged for vapor withdrawl.
- The tank used must include a collar to protect the tank valve.
- When heater is not in use, turn LP tank OFF.
- Always perform a leak test on gas connections whenever a tank is connected. Never use a flame to test for leaks. Do not smoke while performing a leak test.

Caution: It is essential to keep the heater’s valve compartment, burners, and circulating air passages clean.

- Spiders and insects can create a dangerous condition that may damage heater or make it unsafe. Keep burner area clean of all spiders, webs, or insects.
- Inspect heater before each use.
- **Have heater inspected annually and repairs should be made by a qualified service person.**
- Check heater immediately if any of the following conditions exist:
 - The smell of gas in conjunction with extreme yellow tipping of burner flames.
 - Heater does not reach proper temperature.

Note: At temperatures less than 40°F, heat output will be reduced.

- Heater’s glow is excessively uneven
- Burner makes popping noises during use.

Note: A slight pop is normal when burner is extinguished.

- Carbon deposits may create a fire hazard. Keep dome and emitter clean at all times.
- Do not clean heater with combustible or corrosive cleaners. Use warm, soapy water.
- Do not paint engine, engine access panel or dome.

“20 lb.” LP Tank



FOR YOUR SAFETY:

Beware of Spiders

Spiders or small insects can get into the burner tube or other openings of your heater, and spin webs or build nests. These obstructions can lead to gas flow problems. It is important to make frequent inspections of these areas and clean them when necessary.

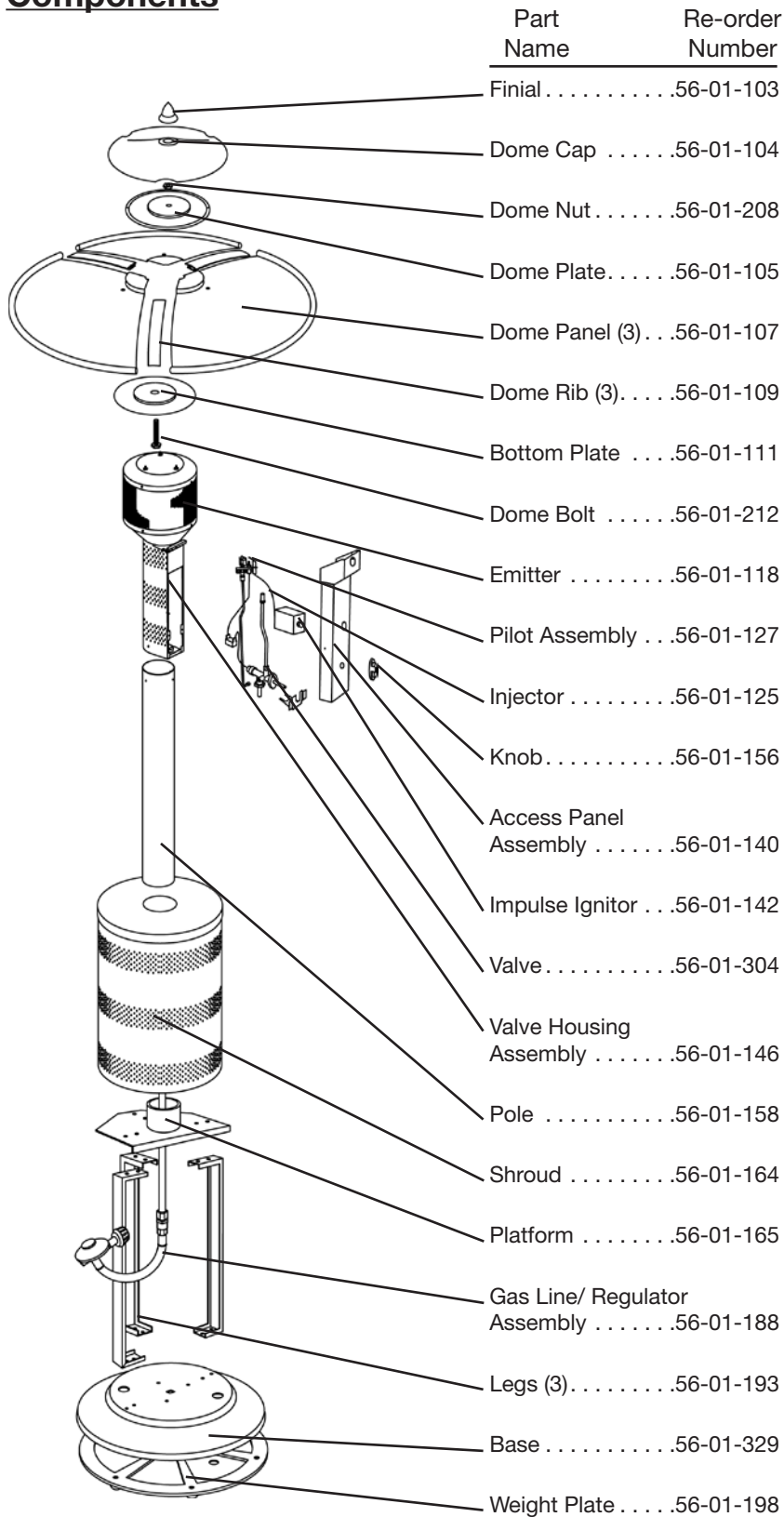
Before operating your heater for the first time, be sure to check for obstructions that may have occurred during shipment.

Need a tank or gas?

Try Blue Rhino tank exchange service. It’s easy, fast, safe, and available at tens of thousands of conveniently located retail outlets nationwide. You can purchase a new full tank or exchange your empty for a precision filled one.

For your nearest Blue Rhino retailer visit www.bluerhino.com.

Components



Hardware

Picture	Qty	Description	Used in Step(s)
	1	Carriage Bolt 3/8-16 x 3-3/4" Zinc Plated Bolt 56-01-199	3
	12	Bolt 1/4-20 x 3/4" Nickel Plated Hex Head Bolt 56-01-200	1 & 2
	1	Large Screw 1/4-20 x 1" Nickel Plated Philips Head Screw 56-01-202	2
	4	Small Screw 1/4-20 x 3/8" Stainless Steel Philips Truss Head Screw 56-01-2327	5
	3	Dome Screw 5/32-32 x 1/4" Stainless Steel Round Head Screw 56-01-205	8
	12	Small Lockwasher M6 Nickel plated Lockwasher 56-01-328	1 & 2
	1	Large Lockwasher M10 Nickel Plated 56-01-207	3
	1	Large Nut 3/8-16 Nickel Plated Hex Nut 56-01-330	3
	1	Medium Nut 3/8-16 Stainless Steel Hex Nut 56-01-208	8
	15	Small Nut 1/4-20 Nickel Plated Hex Nut 56-01-209	1, 2 & 9
	1	Gas Line Clip 56-01-213	2
	1	Allen Wrench 56-01-215	6

**Contact 1.800.762.1142 for assistance.
Do not return to place of purchase.**

Charmglow[®]

Assembly Instructions

General Components & Features

Familiarize yourself with all components before proceeding. Refer to page 5 for hardware and components, and page 21 for specifications.

Do NOT attempt assembly unless all components are available. If you believe a component is missing or damaged, contact 1.800.762.1142 for assistance.

Note: All hardware is mounted on a cardboard pack and numbered to match their assembly step.

Additional Requirements

The following items are not included, but are necessary for the proper assembly of your heater. Do NOT attempt to assemble without proper tools. A hex (Allen) wrench is necessary and is included in the parts bag.

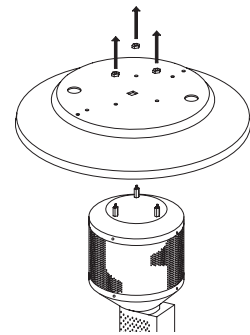
- (1) 7/16" Wrench
- (1) 9/16" Wrench
- (1) 7/16" Socket Wrench
- (1) #2 Phillips Head Screwdriver
- (1) Leak Detection Solution (Instructions on how to make solution are included in step 12)
- (1) Precision Filled LP Gas Grill Tank with Acme Type 1 external threaded valve connection (4-5 gallon size)

Note: You must follow all steps to properly assemble heater.

Note: Unpacking note for 200605C patio heater.

When unpacking your heater from the carton, you will find that the engine assembly and the base have been bolted together for shipping purposes. Remove the three nuts at the top of the base and separate the engine from the base. Retain these nuts for use in Step 9.

You are now ready to begin assembly of your patio heater.

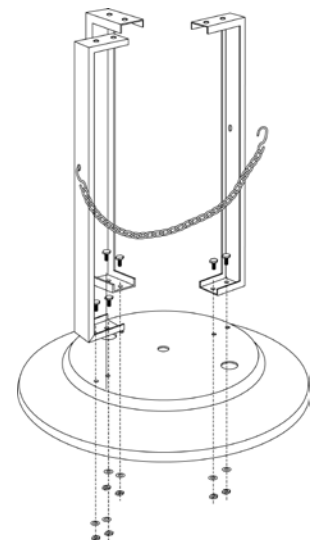


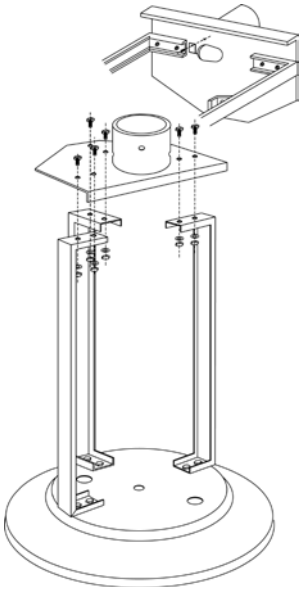
Step 1 – Attach Legs to Base

Secure Legs to Base using (2) Small Bolts, (2) Small Lock Washers and (2) Small Nuts per leg. Finger tighten only.

Do not fully tighten until Step 2.

Attach small 'S' hook on Tank Restraint Chain to left leg.





Step 2 – Attach Platform to Legs

Line up hole in Clip with small threaded hole on bottom of Platform.
Attach Clip loosely to Platform with (1) Large Screw.

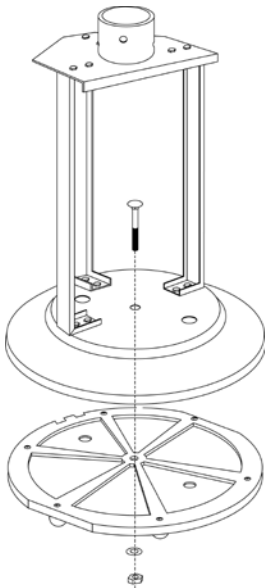
Note: Do not tighten until step 9.

Using 7/16" wrench, secure Platform to Legs using (2) Small Bolts, (2) Small Lock Washers and (2) Small Nuts per Leg. Tighten fully.

Fully tighten all nuts and bolts from Step 1.

TIP:

To tighten use a 7/16" wrench on Bolt and a 7/16" socket wrench on Nut.



Step 3 – Attach Weight Plate to Base

Lay Base Assembly on its side.

Place Weight Plate in Base, feet out.

Note: If you plan to anchor your heater permanently, be sure to line up two outer holes in Base with those in Weight Plate so that your anchor bolt will pass through both holes.

Insert Carriage Bolt through center holes of Base and Plate.

Using 9/16" wrench, secure Plate to Base using (1) Large Lock Washer and (1) Large Nut.

Place Base Assembly upright.

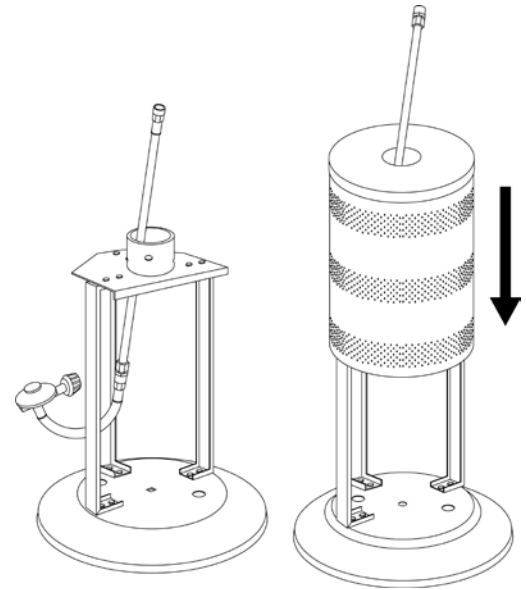
**Contact 1.800.762.1142 for assistance.
Do not return to place of purchase.**



Step 4 – Insert Gas Line through Platform/Attach Shroud Cover

Insert Gas Line up through large hole in Platform from underneath between center and left leg as shown in illustration.

Slide Shroud Cover over Gas Line, then over Platform/Leg assembly until bottom of Shroud rests on Base.



Step 5 – Attach Engine to Post

Lay Engine Assembly on its side, using carton for support.

Remove and save Control Knob.

Remove and save Engine Access Panel by removing (1) black Thumbscrew from bottom of Access Door.

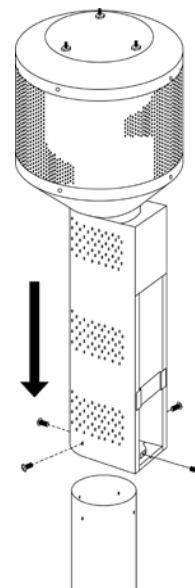
Disconnect wire from Igniter by gently pulling wire from back of box.

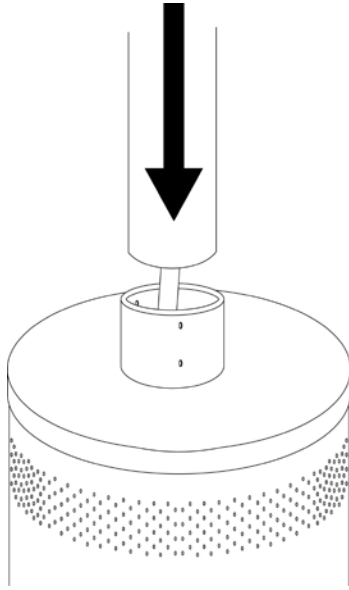
Align (4) holes in top of Post with (4) holes in bottom of Engine.

Note: One hole is at a different level than the rest. Make sure that all 4 holes line up properly.

Insert (4) Small Screws enough to hold Engine in place. They will be fully tightened at the end of Step 7.

Note: Do not replace Engine Access Panel until Step 13.





Step 6 – Attach Engine/Post to Platform

Insert end of Post without holes over Gas Line, being careful not to bend Gas Line.

Slide Post into collar of Platform so Post rests completely on Platform.

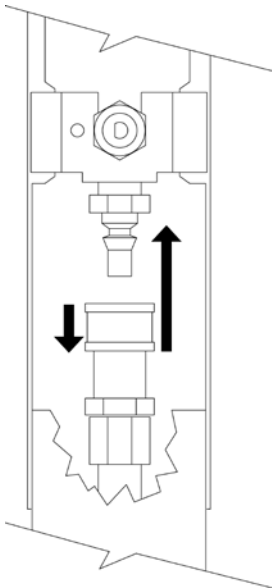
Tighten bottom three setscrews with hex (Allen) wrench supplied.

Make sure Post is perpendicular to Base.

Use top three setscrews to adjust Post's angle as necessary.

Tighten all six setscrews.

Note: Post must be perpendicular to Base. Failure to do so will adversely affect burner performance.



Step 7 – Connect Gas Line to Engine

Attach Gas Line to Control Valve:

Pull collar of Gas Line back.

Insert Gas Line over Control Valve.

Release collar and it should lock in place. (Tip – push Gas Line up from bottom of Post to make a good seating before releasing the collar.)

Gently tug on line to test for proper connection. If Gas Line moves it is not properly connected. Do not proceed until you have a proper connection.

Fully tighten the (4) screws from Step 5.

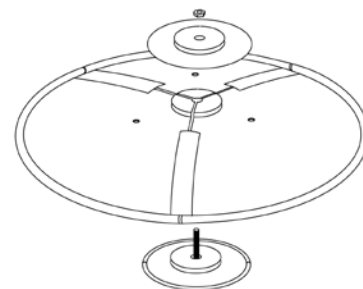
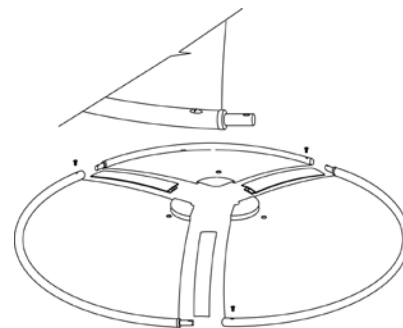
**Contact 1.800.762.1142 for assistance.
Do not return to place of purchase.**

Charmglow[®]

Step 8 – Assemble dome

Note: Each dome section has a pin mounted in place in the rolled bottom edge. If necessary for proper alignment of dome sections, loosen each screw prior to further assembly and retighten after sections are aligned.

- With the large side facing up, slide a dome rib on to the same side of one dome section as the pin. Slide two dome sections together, allowing the exposed end of the pin slide into the rolled edge of the next dome section. Line up hole in dome with threaded hole in pin.
- Insert one Dome Screw and secure loosely.
- Repeat procedure to complete the assembly of all three sections.
- Slide Dome bolt through bottom check plate (with small center hump), being sure that the rolled edge faces down.
- Slide bolt from previous step through the center of the assembled dome sections, and be sure that the rolled edge of the check plate fits inside of the ends of the three Dome Ribs. Also be sure that the slots in the check plate line up with the holes on the dome sections.
- Slide the other check plate over the Center bolt with the rolled edge facing up, again making sure that the plate fits inside of the Ribs and the holes line up with those in the dome.
- Spin the medium nut all the way down the bolt, clamping all of the pieces in place, making sure that all of the humps fit inside one another.
- Fully tighten all of the screws in the rolled edge.

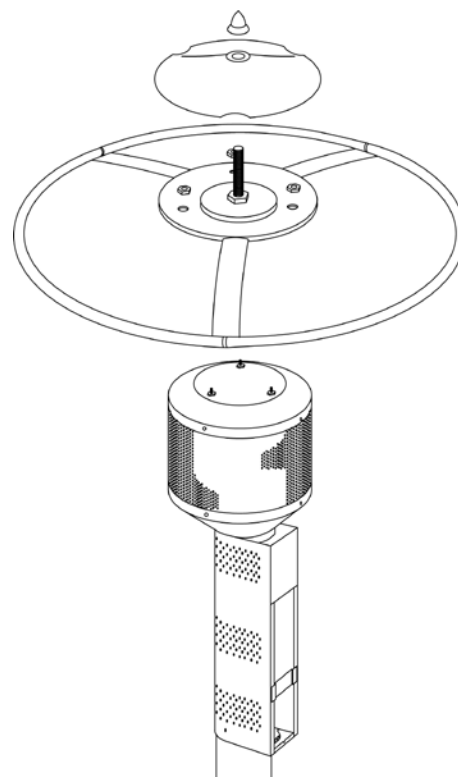


Step 9 – Attach Dome to Emitter

Line up holes in dome assembly with the studs from the emitter assembly and lay dome assembly in place. Secure with three nuts.

Place dome cap over center bolt, making sure that the three slots in cap lay over each Rib

Thread on finial until tight.



Caution

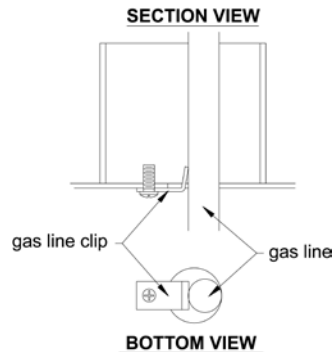
Before you attempt to use a propane tank, understand all tank and propane related precautions in Section #1 - "Safety First."

Step 10 – Secure Gas Line

Make sure angled side of Gas Clip pokes up through large hole in Platform.

Tighten screw until Gas Line is held securely in place.

Stand Heater upright.



Caution

Your Charmglow® Heater has been checked at all factory connections for leaks. Recheck all connections, as movement in shipping can loosen connections. Check for leaks even if your unit was assembled for you at the store.

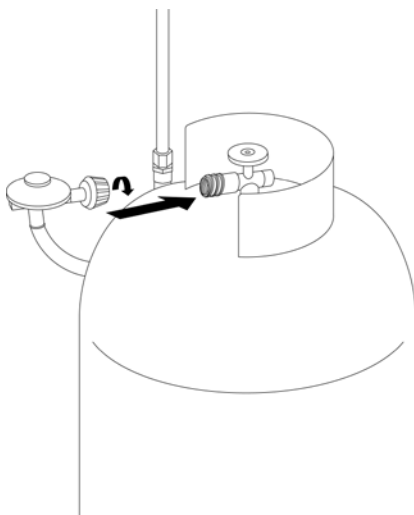
Step 11 – Connect Gas Line to Tank

The pressure regulator and hose assembly supplied with the appliance must be used and replacements must be those specified by the manufacturer.

- Slide full Propane Tank onto Heater Base.
- Attach Gas Line to Tank by turning black plastic knob clockwise over Tank valve until tight.

Note: Be careful not to kink flexible hose of Gas Line.

- Secure tank in place by attaching loose end of Tank Restraint Chain to hole in right leg.

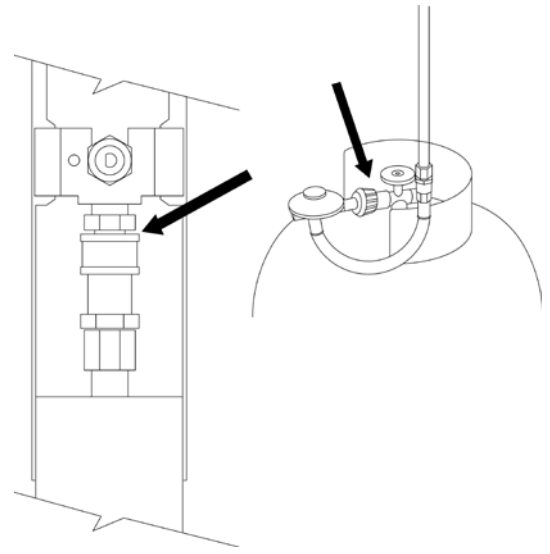


**Contact 1.800.762.1142 for assistance.
Do not return to place of purchase.**

Charmglow®

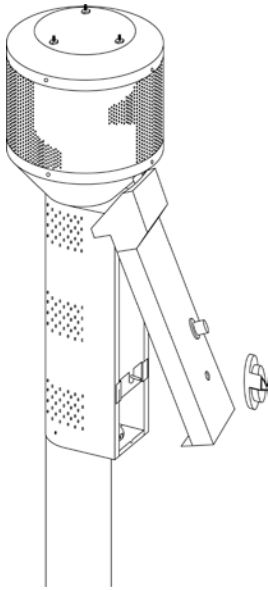
Step 12 – Check for Leaks

- Make 2-3 oz. of leak check solution by mixing one part liquid dishwashing soap and three parts water.
- Turn tank valve ON.
- Check Gas Line / Control Valve for leaks:
- Spoon several drops of solution onto Gas Line and Control Valve connection.
- Inspect the solution at the connection to look for bubbles.
- If NO bubbles appear, then the connection is secure.
- If bubbles appear, there is a leak -
- Turn Tank valve OFF.
- Loosen screw on Clip.
- Release Gas Line fitting from control valve and re-attach making sure connection is secure (see Step 7).
- Retighten Clip.
- If you continue to see bubbles after several attempts, contact 1.800.762.1142 for assistance.



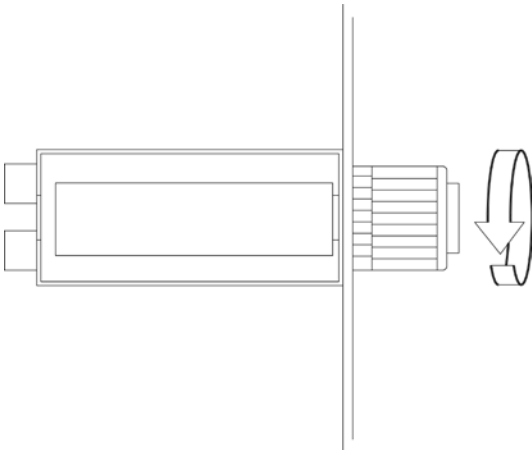
Check Gas Line / Tank valve for leaks:

- Turn tank valve ON.
- Spoon several drops of solution onto Gas Line and Tank valve connection.
- Inspect the solution at the connection to look for bubbles.
- If NO bubbles appear, then the connection is secure.
- If bubbles appear, there is a leak:
- Turn Tank valve OFF.
- Release Gas Line fitting from Tank valve and re-attach making sure connection is secure (see Step 11).
- If you continue to see bubbles after several attempts, contact 1.800.762.1142 for assistance.
- Turn Tank Valve OFF.



Step 13 – Replace Engine Access Panel

- Slide Igniter wire onto Igniter post.
- Slide tab at top of Access Panel into slot in Emitter bottom.
- Rotate Panel down until holes line up at bottom.
- Secure Access Panel in place with thumbscrew.
- Replace Control Knob.



Step 14 – Install Igniter Battery

Note: This step is required only for models with electronic ignition.

- Remove battery cover cap by turning cap counterclockwise.
- Install (1) AA battery. Negative end of battery goes in first.
- Replace battery cover cap by turning cap clockwise.

Note: Once you have successfully completed assembly steps 1-14 you are ready to begin operating your heater.

**Contact 1.800.762.1142 for assistance.
Do not return to place of purchase.**



Operation

Caution: Do NOT attempt to operate heater until you have read and understand all precautions in section 1 "Safety First."

Before Turning Gas Supply ON

- Your heater was designed and approved for OUTDOOR USE ONLY. DO NOT use it inside a building, garage, or any other enclosed area.
- Make sure surrounding areas are free of combustible materials, gasoline, and other flammable vapors or liquids.
- Ensure that there is no obstruction to air ventilation.
- Be sure all gas connections are tight and there are no leaks.
- Be sure the access panel is clear of debris.
- Be sure any component removed during assembly or servicing is replaced and fastened prior to starting.

Before Lighting

- Heater should be thoroughly inspected before each use, and by a qualified service person at least annually.
- If relighting a hot heater, always wait at least 5 minutes.
- Inspect the hose assembly for evidence of excessive abrasion, cuts, or wear. Suspected areas should be leak tested. If the hose leaks, it must be replaced prior to operation. Only use the replacement hose assembly specified by manufacturer.

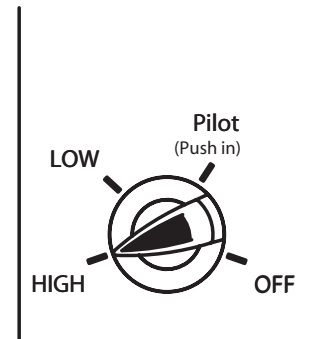
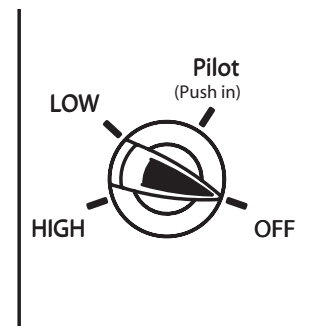
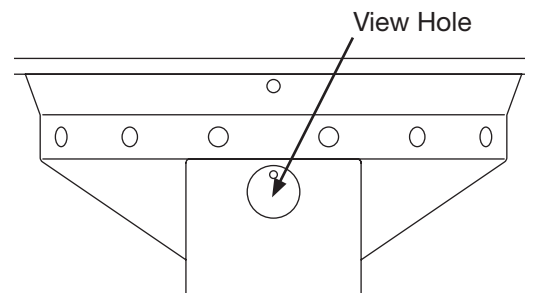
Lighting

Note: This heater is equipped with a Pilot Light that allows for safer startups and shutdowns. Pilot must be lit before Main Burner can be started.

- Turn Tank Valve OFF.
- Push Control Knob IN and turn to OFF.
- Wait 5 minutes for any gas to clear.
- Turn Tank Valve ON.
- Open Viewing Hole by sliding cover to either side.
- Push Control Knob IN and rotate to Pilot position.
- Note - For initial start or after any tank change, hold Control Knob IN for 2 minutes to purge air from gas lines before proceeding.
- Push Igniter button once. Pilot Light flame will appear and be visible through Viewing Hole.
- Release Control Knob after 30 seconds. Pilot Light will remain lit. If not, return to step 1.
- Turn Control Knob to ON. Main Burner will light immediately. Flame is visible through Viewing Hole. If not, return to step 1.

! WARNING
FOR YOUR SAFETY

- **Do NOT attempt to operate heater until you have read and understand all precautions in Section 1 "Safety First." Failure to do so can result in serious personal injury, death, or property damage.**
- **If at any time you are unable to light burner and smell gas, wait 5 minutes to allow gas to dissipate before attempting to light heater.**
- **Do NOT touch emitter or dome or move heater for at least 45 minutes after use.**





WARNING
FOR YOUR SAFETY

Be careful when attempting to manually ignite this heater. Holding in the control knob for more than 10 seconds before igniting the gas will cause a ball of flame upon ignition.

- If for some reason your ignitor fails to deliver a spark, your heater can be started by inserting a lit match through the pilot view hole while pushing the control knob in while in the PILOT position.

If you experience any ignition problem consult “Troubleshooting” on page 17.

Caution: Avoid inhaling fumes emitted from the heater’s first use. Smoke and odor from the burning of oils used in manufacturing will appear. Both smoke and odor will dissipate after approximately 30 minutes. The heater should NOT produce thick black smoke.

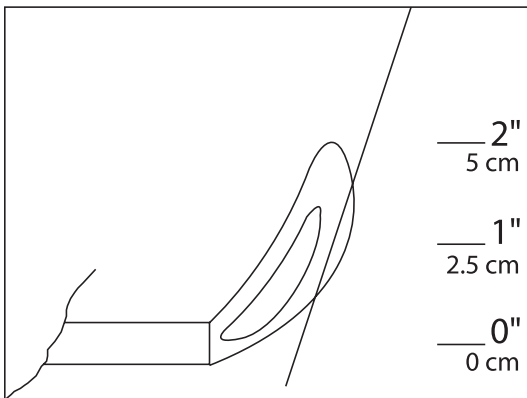
Note: The burner may be noisy when initially turned on. To eliminate excessive noise from the burner, turn the Control Knob to the Pilot position. Then, turn the knob to the level of heat desired.

When heater is ON:

Emitter screen will become bright red due to intense heat. The color is more visible at night.

Burner will display tongues of blue and yellow flame. These flames should not be yellow or produce thick black smoke, indicating an obstruction of airflow through the burners. The flame should be blue with straight yellow tops.

If excessive yellow flame is detected, turn off heater and consult “Troubleshooting” on page 17.



Re-lighting

Note: For your safety, Control Knob cannot be turned OFF without first depressing Control Knob in PILOT position and then rotating it to OFF.

Turn Control Knob to OFF.

Wait at least 5 minutes, to let gas dissipate, before attempting to relight Pilot.

Repeat the “Lighting” steps on prior page.



WARNING
FOR YOUR SAFETY

***Heater will be hot after use.
Handle with extreme care.***

Shut Down

Turn Control Knob clockwise to Pilot. (Normally, burner will make a slight popping sound when extinguished.) Burner will extinguish but Pilot will remain ON.

To extinguish Pilot, depress Control Knob and continue to turn it clockwise to OFF.

Turn Tank Valve clockwise to OFF and disconnect Regulator when heater is not in use.

Note: After use, some discoloration of the emitter screen is normal.

**Contact 1.800.762.1142 for assistance.
Do not return to place of purchase.**



Operation Checklist

For a safe and pleasurable heating experience, perform this check before each use.

Before Operating

- I am familiar with entire owner's manual and understand all precautions noted in "Safety First".
- All components are properly assembled, intact and operable.
- No alterations have been made.
- All gas connections are secure and do not leak.
- Wind velocity is below 10 mph.
- Outdoor temperature is greater than 40 degrees F.
- Heater is outdoors (outside any enclosure).
- There is adequate fresh air ventilation.
- Heater is away from gasoline or other flammable liquids or vapors.
- Heater is away from windows, air intake openings, sprinklers and other water sources.
- Heater is at least 36" clearance (top) and 24" clearance (side) from combustible materials.
- Heater is on a hard and level surface.
- There are no signs of spider or insect nests.
- All burner passages are clear.
- All air circulation passages are clear.
- Children, pets, clothing, flammable materials and items that can be damaged from radiant heat are away from the heater.
- Children and adults in the area have been alerted to the high temperature hazards: especially burns and clothing fires.
- Children and adults in the area have been warned not to touch heater near engine during operation and until unit has cooled.

After Operation

- Gas control is in OFF position.
- Gas tank valve is OFF
- Disconnect Gas line.
- Heater is upright in a secure location.

Troubleshooting

<u>If the problem is:</u>	<u>And this condition exists:</u>	<u>Then do this</u>
Pilot won't light <i>Note: Heater operates at reduced efficiency below 40°F (5°C).</i>	Tank valve is closed	Open valve
	Blockage in orifice or pilot tube	Clean or replace orifice or pilot tube
	Air in gas line	Open gas line and bleed it (pressing control knob in) for not more than 1 - 2 minutes or until you smell gas
	Low gas pressure with tank valve fully open	Turn tank valve OFF and replace tank
	Igniter fails	Use match to light pilot; obtain new igniter and replace
Pilot won't stay lit	Dirt built up around pilot	Clean dirt from around pilot
	Connection between gas valve and pilot assembly is loose	Tighten connection and perform leak check
	Thermocouple is not operating correctly	Replace thermocouple
Burner won't light	Gas pressure is low	Turn tank valve OFF and replace tank
	Blockage in orifice	Clear blockage
	Control knob is not in ON position	Turn control knob to ON
Burner flame is low	Gas pressure is low	Turn tank valve OFF and replace tank
	Outdoor temperature is less than 40°F and tank is less than 1/4 full	Use a full tank
	Supply hose is bent or kinked	Straighten hose
	Control knob fully ON	Check burner and orifices for blockage
Emitter glows uneven <i>Note: Bottom 1" of emitter normally does NOT glow.</i>	Gas pressure is low	Turn tank valve OFF and replace tank
	Base is not on a level surface	Place heater on a level surface
	Heater is level	Clean burner
Carbon build-up	Dirt or film on reflector and emitter	Clean reflector and emitter
Thick black smoke	Blockage in burner	Remove blockage and clean burner inside and outside

**Contact 1.800.762.1142 for assistance.
Do not return to place of purchase.**

Charmglow®

Maintenance

To enjoy years of outstanding performance from your heater, make sure you perform the following maintenance activities on a regular basis:

Keep exterior surfaces clean.

Use warm soapy water for cleaning. Never use flammable or corrosive cleaning agents.

While cleaning your unit, be sure to keep the area around the burner and pilot assembly dry at all times. Do not submerge the control valve assembly. If the gas control is submerged in water, do NOT use it. It must be replaced.

Air flow must be unobstructed. Keep controls, burner, and circulating air passageways clean. Signs of possible blockage include:

Gas odor with extreme yellow tipping of flame.

Heater does NOT reach the desired temperature.

Heater glow is excessively uneven.

Heater makes popping noises.

Spiders and insects can nest in burner or orifices. This dangerous condition can damage heater and render it unsafe for use. Clean burner holes by using a heavy-duty pipe cleaner. Compressed air may help clear away smaller particles.

Carbon deposits may create a fire hazard. Clean dome and emitter with warm soapy water if any carbon deposits develop.

Note: In a salt-air environment (such as near an ocean), corrosion occurs more quickly than normal. Frequently check for corroded areas and repair them promptly.

TIP:

Use high-quality automobile wax to help maintain the appearance of your heater. Apply to exterior surfaces from the pole down. Do not apply to emitter screen or domes.



WARNING FOR YOUR SAFETY

- ***Do NOT touch or move heater for at least 45 minutes after use.***
- ***Dome is hot to the touch.***
- ***Allow dome to cool before touching.***

Storage

Between uses:

Turn Control Knob OFF.

Disconnect LP source.

Store heater upright in an area sheltered from direct contact with inclement weather (such as rain, sleet, hail, snow, dust and debris).

If desired, cover heater to protect exterior surfaces and to help prevent build up in air passages.

Note: Wait until heater is cool before covering.

During periods of extended inactivity or when transporting:

Turn Control Knob OFF.

Disconnect LP source and move to a secure, well-ventilated location outdoors.

Store heater upright in an area sheltered from direct contact with inclement weather (such as rain, sleet, hail, snow, dust and debris).

If desired, cover heater to protect exterior surfaces and to help prevent build up in air passages.

Never leave LP cannister exposed to direct sunlight or excessive heat.

Note: Wait until heater is cool before covering.

Service

To learn how to service and procure parts for worn out, defective or damaged components contact 1.800.762.1142 for assistance or e-mail CustomerService@BlueRhino.com. Please supply model number and serial ID number for best service support. These numbers can be found on a label on the rear of the Valve Housing.

Caution: Use only original equipment replacement parts. Use of unauthorized parts or modification of parts will void warranty and create an unsafe condition.

Caution: Always allow heater to cool before attempting service.

Product Registration

Please register your product immediately at www.BlueRhino.com or call 1.800.762.1142.

**Contact 1.800.762.1142 for assistance.
Do not return to place of purchase.**



Limited Warranty

Blue Rhino Global Sourcing, LLC (“Vendor”) warrants to the original retail purchaser of this product, and to no other person, that if this product is assembled and operated in accordance with the printed instructions accompanying it, then for a period of one (1) year from the date of purchase, all parts in such product shall be free from defects in material and workmanship. Vendor may require reasonable proof of your date of purchase. Therefore, you should retain your sales slip or invoice. This Limited Warranty shall be limited to the repair or replacement of parts, which prove defective under normal use and service and which Vendor shall determine in its reasonable discretion upon examination to be defective. Before returning any parts, you should contact Vendor’s Customer Service Department using the contact information listed below. If Vendor confirms, after examination, a defect covered by this Limited Warranty in any returned part, and if Vendor approves the claim, Vendor will replace such defective part without charge. If you return defective parts, transportation charges must be prepaid by you. Vendor will return replacement parts to the original retail purchaser, freight or postage prepaid.

This Limited Warranty does not cover any failures or operating difficulties due to accident, abuse, misuse, alteration, misapplication, improper installation or improper maintenance or service by you or any third party, or failure to perform normal and routine maintenance on the product as set out in this owner’s manual. In addition, the Limited Warranty does not cover damage to the finish, such as scratches, dents, discoloration, rust or other weather damage, after purchase.

This Limited Warranty is in lieu of all other express warranties. Vendor disclaims all warranties for products that are purchased from sellers other than authorized retailers or distributors, including the warranty of merchantability or the warranty of fitness for a particular purpose. **VENDOR ALSO DISCLAIMS AND ANY ALL IMPLIED WARRANTIES, INCLUDING WITHOUT LIMITATION THE IMPLIED WARRANTIES OF MERCHANTABILITY AND FITNESS FOR A PARTICULAR PURPOSE. VENDOR SHALL NO LIABILITY TO PURCHASER OR ANY THIRD PARTY FOR ANY SPECIAL, INDIRECT, PUNITIVE, INCIDENTAL, OR CONSEQUENTIAL DAMAGES.** Vendor further disclaims any implied or express warranty of, and assumes no responsibility for, defects in workmanship caused by third parties.

This Limited Warranty gives the purchaser specific legal rights; a purchaser may have other rights depending upon where he or she lives. Some jurisdictions do not allow the exclusion or limitation of special, incidental or consequential damages, or limitations on how long a warranty lasts, so the above exclusion and limitations may not apply to everyone.

Vendor does not authorize any person or company to assume for it any other obligation or liability in connection with the sale, installation, use, removal, return, or replacement of its equipment, and no such representations are binding on Vendor.

Blue Rhino Global Sourcing, LLC

Winston-Salem, North Carolina 27104 USA

1.800.762.1142

CustomerService@bluerhino.com



**Contact 1.800.762.1142 for assistance.
Do not return to place of purchase.**

Specifications

Certifications:

CSA International Requirement 5.90
Canadian National Standard CAN1-2.23-M82

Rating:

Maximum 40,000 BTU/hr. input

Heat Range:

Up to 20 foot diameter

Fuel:

Liquid Propane Gas (LP)

Tank Size:

Nominal 20 lb / 5 Gallon

Inlet gas supply pressure:

Maximum – 150 PSI
Minimum – 5 PSI

Manifold Pressure:

11.00 in. W.C.

Engine:

IPP E8

Safety Features:

100% Burner shut-off
Tilt Switch

Manufacturer:

Blue Rhino Global Sourcing, LLC

Made In:

China



**MISE EN GARDE
POUR VOTRE SÉCURITÉ:**

*Pour usage à l'extérieur seulement
(hors de tout espace clos)*



**AVERTISSEMENT
POUR VOTRE SÉCURITÉ:**

En cas d'odeur de gaz -

- 1. Fermez le robinet de gaz alimentant l'appareil.*
- 2. Éteignez toute flamme.*
- 3. Si l'odeur persiste, contactez votre fournisseur de bonbonnes de gaz.*



**MISE EN GARDE
POUR VOTRE SÉCURITÉ:**

- 1. Toute fuite de gaz risque de provoquer un incendie ou une explosion et entraîner des dégâts matériels, des blessures graves voire mortelles.*
- 2. Respecter toutes les consignes de détection de fuite de l'étape 12 avant d'utiliser l'appareil.*
- 3. Ne jamais utiliser de flamme nue afin de détecter une fuite.*



**MISE EN GARDE
POUR VOTRE SÉCURITÉ:**

Ne pas utiliser ni stocker d'essence ou de liquides et autres vapeurs inflammables à proximité de cet appareil ou de tout autre appareil.



**MISE EN GARDE
POUR VOTRE SÉCURITÉ:**

Toute installation défectueuse ou modification incorrecte ainsi que tout mauvais réglage ou entretien incorrect risque d'entraîner des blessures ou des dégâts matériels. Lire complètement les instructions d'installation, d'utilisation et d'entretien avant de procéder à la maintenance de l'appareil ou à son entretien.



MISE EN GARDE

Proposition 65 de Californie:

L'État de la Californie reconnaît que la combustion du propane produit des émanations et des résidus chimiques qui provoquent le cancer, des malformations congénitales et sont nocifs pour le système reproductif.



**MISE EN GARDE
POUR VOTRE SÉCURITÉ:**

- L'acheteur assume tous les risques lors de l'assemblage et de l'utilisation de cet appareil. Le non-respect des instructions et des consignes de sécurité de ce manuel risque de provoquer des blessures graves voire la mort ou des dégâts matériels.*
- Ne pas utiliser en présence de vapeurs et émanations explosives. Veiller à ce que la zone autour du radiateur extérieur demeure dégagée et dépourvue d'essence et d'autres liquides et vapeurs inflammables.*

Table des Matières



La sécurité avant tout!	3
Quincaillerie et liste des pièces	5
Pièces et caractéristiques générales	6
Directives d'assemblage	
Accessoires supplémentaires	6
Étape 1 Fixer les pieds au socle	6
Étape 2 Fixer la tablette de support aux pieds	7
Étape 3 Fixer la plaque de lestage au socle	7
Étape 4 Insérer la conduite de gaz dans la tablette de support/ Fixer le carénage de protection	8
Étape 5 Fixer le moteur au pôle	8
Étape 6 Fixer l'ensemble moteur-pôle à la tablette de support	9
Étape 7 Raccorder la conduite de gaz au moteur	9
Étape 8 Assembler le dôme	10
Étape 9 Fixer le dôme à l'émetteur de chaleur	10
Étape 10 Fixer la conduite de gaz	11
Étape 11 Raccorder la conduite de gaz à la bonbonne	11
Étape 12 Rechercher une fuite de gaz potentielle	12
Étape 13 Replacer le panneau d'accès au moteur	13
Étape 14 Installer la pile de l'allumeur (pour modèles à allumage électronique seulement)	13
Fonctionnement	
Avant d'ouvrir le gaz (ON)	14
Avant d'allumer l'appareil	14
Allumer l'appareil	14
Rallumer l'appareil	15
Éteindre l'appareil	15
Liste de vérifications à effectuer avant toute utilisation	16
Guide de dépannage	17
Entretien	8
Remisage	19
Service après-vente	19
Enregistrement de l'appareil	18
Garantie	20
Caractéristiques techniques	21

Conservez ces instructions afin de pouvoir les consulter ultérieurement. Si vous êtes en train d'assembler cet appareil pour une autre personne, veuillez lui fournir le manuel afin qu'elle puisse le consulter plus tard.

L'utilisation et l'installation de cet appareil doivent être conformes aux codes locaux. En l'absence de codes locaux, suivez le Code national du gaz et des combustibles, ANSI Z223.1/NFPA 54, la réglementation sur le Stockage et la manutention du gaz de pétrole liquéfié, NFPA/ANSI 58 ou CSA B149.1, et le Code d'installation du gaz naturel et du propane CSA B149.2.

**Pour toute assistance appeler le 1.800.762.1142
Ne pas retourner cet appareil au point de vente.**

Charmglow®

La sécurité avant tout!

Lisez et familiarisez-vous avec ce manuel et surtout les précautions suivantes.

Si vous avez des questions concernant ces instructions, ARRÊTEZ et appelez le 1.800.762.1142 pour toute assistance.

Attention: Cet appareil est sensé être utilisé à l'extérieur uniquement (hors de tout espace clos). Assurez-vous qu'il y a toujours suffisamment d'air pour la ventilation de l'appareil.

- Laissez toujours un espace d'au moins 36 po./91 cm (au-dessus) et de 24 po./61 cm (sur les côtés) entre l'appareil et toute matière combustible.
- Veillez à ce que l'appareil soit toujours placé sur une surface dure et plane.
- Ne pas utiliser l'appareil si la vitesse du vent dépasse 16 km/h.
- Si la température descend en dessous de 40°F (5°C), l'appareil fonctionnera à un rendement moindre.
- Conservez les arroseurs d'eau et autres sources d'eau à l'écart des brûleurs et des commandes.
- **Faites preuve d'une extrême précaution lorsque vous êtes à proximité de l'appareil. Indiquez aux enfants et aux adultes les dangers existants en raison des hautes températures afin d'éviter qu'ils ne se brûlent ou que leurs vêtements ne prennent feu.**
- **Ne laissez jamais les enfants et les animaux de compagnie sans surveillance lorsque ces derniers sont à proximité de l'appareil.**
- **Ne pendez pas de vêtements ou d'autres matières inflammables sur l'appareil ou à proximité de ce dernier.**
- **Tout cache protecteur ou dispositif de protection ayant été retiré afin de procéder à une réparation ou à l'entretien de l'appareil, doit être remis en place avant de mettre en marche l'appareil.**
- Certains matériaux ou articles risquent d'être sérieusement endommagés en raison de la chaleur rayonnante si ces derniers sont placés sous l'appareil.
- Ne modifiez en aucune façon l'appareil.
- Utilisez uniquement le régulateur et le tuyau fournis avec l'appareil. Utilisez uniquement les pièces de rechange spécifiées par le fabricant.
- Vérifiez le radiateur extérieur à chaque fois avant de l'utiliser. Si vous détectez une pièce endommagée, n'utilisez pas l'appareil avant d'installer une pièce de rechange agréée. L'emploi de toute pièce non agréée peut être dangereuse et entraînera l'annulation de la garantie.
- Ne tentez pas d'utiliser l'appareil sans un régulateur de gaz en état de fonctionnement et ayant été monté à l'usine. Si le régulateur s'avère endommagé, utilisez uniquement un régulateur de rechange fourni par l'usine.
- Avant de mettre en marche le radiateur extérieur, remettez en place tout cache protecteur ou autre dispositif de protection ayant été retiré afin de procéder à une réparation ou à l'entretien de l'appareil.
- Ne touchez pas les pièces du brûleur lorsque l'appareil fonctionne. La surface de l'émetteur de chaleur peut atteindre 1600°F (870°C).
- Après avoir éteint l'appareil, ne touchez pas le brûleur jusqu'à ce que l'appareil se soit refroidi (attendre environ 45 minutes).

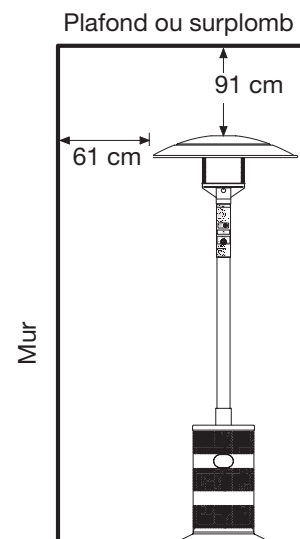
Avis: Cet appareil ne doit pas être utilisé avec un combustible autre que du propane liquide. Le non-respect de cette consigne nuira au rendement de l'appareil et annulera la garantie.



Avant de faire quoi que ce soit, veuillez lire et comprendre toutes les consignes de la section « La sécurité avant tout! »

! MISE EN GARDE POUR VOTRE SÉCURITÉ

- **L'acheteur assume tous les risques lors de l'assemblage et de l'utilisation de cet appareil. Le non-respect des instructions et des consignes de sécurité de ce manuel risque de provoquer des blessures graves voire la mort ou des dégâts matériels.**
- **Ne pas utiliser l'appareil dans une atmosphère explosive. Conserver l'appareil à l'écart de toute zone où des liquides inflammables ou de l'essence sont remis ou stockés et où des vapeurs ou émanations explosives sont présentes.**



Bonbonne de 20 lb



POUR VOTRE SÉCURITÉ:

Attention aux araignées

Les araignées et autres insectes peuvent s'introduire dans la tubulure du brûleur et les autres orifices du radiateur extérieur et pendre leurs toiles et y fabriquer leurs nids. Ces obstacles risquent de provoquer des problèmes au niveau de l'alimentation du gaz. Vérifiez fréquemment ces endroits et nettoyez-les si nécessaire.

Avant d'utiliser le radiateur extérieur pour la première fois, vérifiez qu'aucun obstacle de ce genre n'est apparu lors du transport.

Vous avez besoin d'une bonbonne de gaz?

Essayez le service de bonbonnes de rechange Blue Rhino. C'est un service facile, rapide, sans danger et présent dans des dizaines de milliers de points de vente partout dans le pays. Achetez une bonbonne neuve ou échangez votre bonbonne vide contre une bonbonne déjà remplie.

Pour le point de vente le plus proche consultez www.bluerhino.com.

Attention: Le propane liquide (LP) est un gaz inflammable et dangereux si ce dernier n'est pas manipulé correctement. Soyez conscient des dangers avant d'utiliser tout appareil fonctionnant au propane.

- Caractéristiques du propane: le propane est un gaz inflammable qui risque d'exploser sous pression. C'est un gaz plus lourd que l'air présent en gisements dans les régions basses.
- Le propane à l'état naturel est inodore. Pour votre sécurité, un odorisant ayant l'odeur de choux avariés a été ajouté.
- Tout contact du propane avec la peau risque d'entraîner des brûlures.
- Cet appareil est expédié de l'usine afin d'être utilisé avec du propane uniquement.
- Utilisez uniquement des bonbonnes de gaz de 20 lb (9 kg) homologuées par le DOT (Ministère des Transports) (il s'agit des mêmes bonbonnes que celles utilisées pour les grils/barbecues à gaz) avec soupape de sécurité QCC Acme/Type 1. Ces soupapes sont faciles à identifier car elles possèdent un filetage interne et externe.
- N'utilisez jamais une bonbonne de propane si le corps, la commande, le col ou le socle sont endommagés.
- Toute bonbonne de propane bosselée ou présentant des traces de rouille risque d'être dangereuse et devrait être vérifiée par votre fournisseur.
- Le système d'alimentation de la bonbonne de gaz doit être installé afin de permettre la sortie des vapeurs et des émanations de gaz.
- La bonbonne de gaz doit posséder un col afin de protéger la valve de contrôle.
- Lorsque vous n'utilisez pas l'appareil, fermez le gaz à la bonbonne (OFF)
- Veillez à toujours effectuer un test d'étanchéité afin de rechercher toute fuite potentielle au niveau des raccords de gaz. N'utilisez jamais de flamme nue afin de rechercher une fuite. Ne fumez jamais lorsque vous essayez de détecter une fuite.

Attention: Il est primordial que le compartiment de la valve du radiateur extérieur, les brûleurs et les passages par où l'air circule demeurent propres.

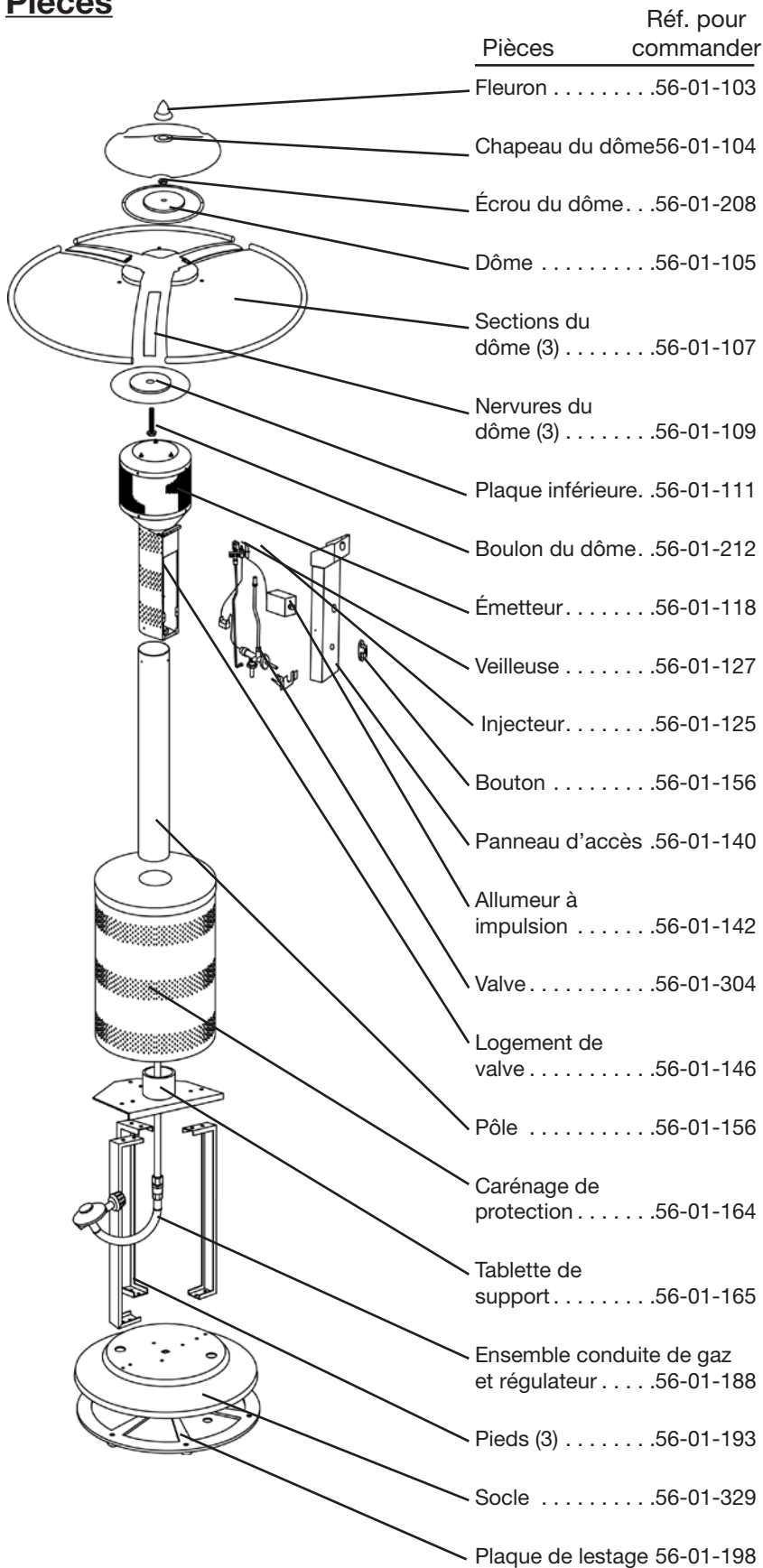
- Les araignées et les insectes risquent de provoquer des conditions dangereuses et de nuire au bon fonctionnement de l'appareil. Veillez à ce que la zone du brûleur demeure propre et sans toiles d'araignées ou insectes.
- Vérifiez l'appareil avant chaque utilisation.
- Faites inspecter le radiateur extérieur une fois par an et veillez à ce que toute réparation soit effectuée par un réparateur qualifié.
- Vérifiez immédiatement l'appareil dans les cas suivants:
- Vous sentez une odeur de gaz et les crêtes des flammes sont extrêmement jaunes.
- L'appareil n'atteint pas la température adéquate.

Remarque: l'appareil fonctionnera à un rendement moindre à une température inférieure à 40°F (5°C).

- La lueur du radiateur extérieur n'est pas du tout uniforme.
 - Le brûleur fait des bruits de claquement lorsqu'il fonctionne.
- Remarque: il est normal que le brûleur émette un léger bruit de claquement lors de son extinction.
- Des résidus de carbone risquent de provoquer un incendie. Veillez à ce que le dôme et l'émetteur demeurent toujours propres.
 - Ne nettoyez pas l'appareil avec un nettoyeur combustible ou corrosif. Utilisez de l'eau tiède savonneuse.
 - Ne peignez pas le moteur, le panneau d'accès du moteur ni le dôme.



Pièces



Quincaillerie

Illustration	Qté.	Description	Utiliser à l'étape
	1	Boulon de carrosserie Boulon galvanisé de 3/8-16 x 3-3/4 po. 56-01-199	3
	12	Boulon Boulon nickelé à tête hex. de 1/4-20 x 3/4 po. 56-01-200	1 & 2
	1	Grande vis Vis nickelée à tête Phillips de 1/4-20 x 1 po. 56-01-202	2
	4	Petite vis Vis en acier inox. à tête bombée Phillips de 1/4-20 x 3/8 po. 56-01-327	5
	3	Vis du dôme Vis en acier inox. à tête ronde de 5/32-32 x 1/4 po. 56-01-205	8
	12	Petite rondelle de blocage Rondelle de blocage nickelée de 6 mm de diam. 56-01-328	1 & 2
	1	Grande rondelle de blocage Rondelle de blocage nickelée de 10 mm de diam. 56-01-207	3
	1	Grand écrou Écrou hex. nickelé de 3/8-16 po. 56-01-330	3
	1	Écrou taille moyenne Écrou hex. en acier inox. 3/8-16 po. 56-01-208	8
	15	Petit écrou Écrou hex. nickelé de 1/4-20 po. 56-01-209	1, 2 & 9
	1	Bride de la conduite de gaz 56-01-213	2
	1	Clé Allen 56-01-215	6

Directives d'assemblage

Pièces et caractéristiques générales

Familiarisez-vous avec toutes les pièces avant de commencer. Reportez-vous à la page 5 pour la nomenclature, les pièces et à la page 18 pour leurs caractéristiques.

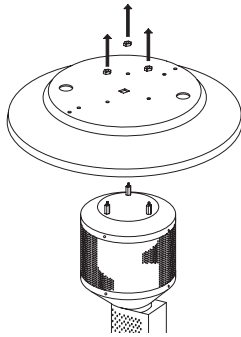
NE PAS tenter pas de procéder à l'assemblage de l'appareil si vous n'avez pas toutes les pièces. Si vous pensez que des pièces sont manquantes ou endommagées, appelez le 1.800.762.1142.

Accessoires supplémentaires

Les articles suivants ne sont pas fournis mais sont nécessaires afin de monter l'appareil. NE PAS tenter de monter l'appareil sans outils adéquats.

- (1) - Clé à molette de 7/16 po. (11 mm)
- (1) - Clé à molette de 9/16 po. (14 mm)
- (1) - Clé à douilles de 7/16 po. (11 mm)
- (1) - Tournevis cruciforme Phillips #2
- (1) - Solution pour détection de fuite (voir instructions pour préparer la solution à l'étape 12)
- (1) - Bonbonne de propane de 20 livres (9 kg) (11,3 à 15 litres) pour grill/barbecue à gaz LP avec raccord à filetage externe Acme .

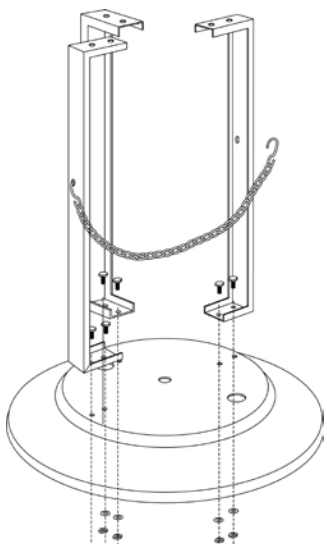
Remarque: Suivez toutes les étapes afin d'assembler correctement l'appareil.



Remarque: concernant le déballage du radiateur de terrasse 200605C.

Lorsque vous déballez le radiateur et le sortez du carton, vous verrez que le moteur et le socle sont vissés l'un à l'autre afin de faciliter leur transport. Retirez les trois écrous de la partie supérieure du socle et séparez le moteur du socle. Conservez ces trois écrous pour l'étape 9.

Vous êtes à présent prêt à commencer l'assemblage du radiateur de terrasse.



Étape 1: Fixer les pieds au socle

Fixez les pieds au socle en utilisant les 2 boulons, les 2 petites rondelles de sécurité et les 2 petits écrous pour chaque pied. Serrez uniquement avec les doigts.

Ne pas serrer complètement avant l'étape 2

Fixez la chaîne de retenue en forme de « S » de la bonbonne au pied gauche.

Étape 2: Fixer la tablette de support aux pieds

Alignez le trou de la bride avec le petit trou fileté situé dans le fond de la tablette de support.

Fixez la bride à la tablette de support sans serrer avec une grande vis.

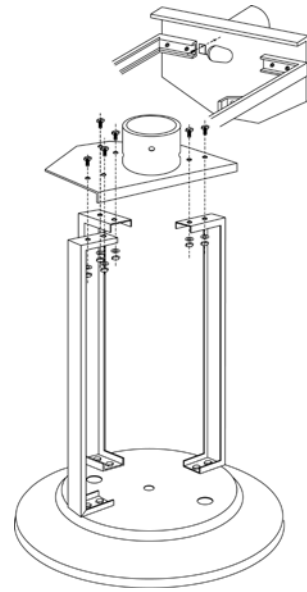
Remarque: Ne pas serrer avant l'étape 9.

Avec une clé de 7/16 po., fixez la tablette de support aux pieds avec 2 petits boulons, 2 petites rondelles de blocage et 2 petits écrous pour chaque pied. Serrez à bloc.

Serrez complètement tous les écrous et toutes les vis de l'étape 1.

CONSEIL:

Pour serrer, utilisez une clé à molette de 7/16 po. sur les boulons et une clé à douille de 7/16 po. pour les écrous.



Étape 3: Fixer la plaque de lestage au socle

Placez le socle afin qu'il repose sur le côté.

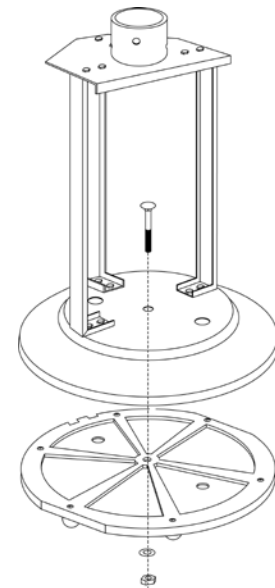
Placez la plaque de lestage sur le socle, avec les pieds à l'extérieur.

Remarque: Si vous comptez fixer l'appareil d'une façon permanente, assurez-vous que les deux trous extérieurs du socle soient alignés sur ceux de la plaque de lestage afin que le boulon d'ancrage puisse passer par les deux trous.

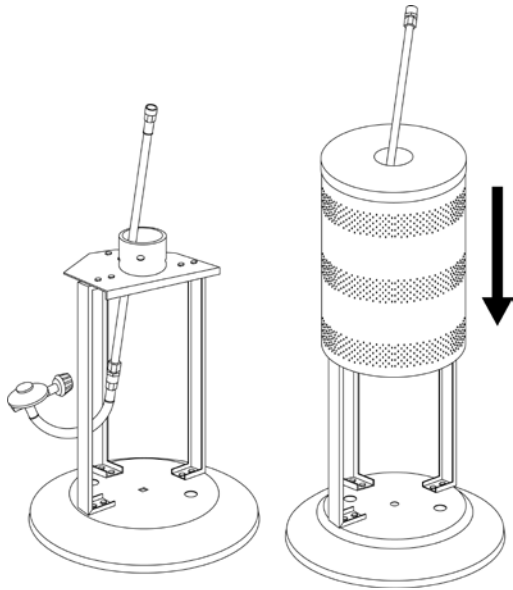
Insérez le boulon de carrosserie en passant par les trous au centre du socle et de la plaque.

Avec une clé à molette de 9/16 po., fixez la plaque au socle en utilisant une grande rondelle de bloquante et un grand écrou.

Placez le socle debout.



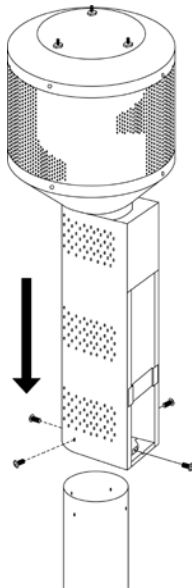
Étape 4: Insérer la conduite de gaz dans la tablette de support et fixer le carénage de protection



Insérez la conduite de gaz par le grand trou de la tablette de support à partir du dessous, entre le centre et le pied gauche comme illustré.

Glissez le carénage par-dessus la conduite de gaz, puis par-dessus l'ensemble tablette-pied jusqu'à ce que le bas du carénage repose sur le socle.

Étape 5: Fixer le moteur au pôle



Placez le moteur afin qu'il repose sur le côté en utilisant le carton comme support.

Retirez et conservez le bouton de contrôle.

Retirez et conservez le panneau d'accès au moteur en dévissant une vis à oreilles noire du fond de la porte d'accès.

Débranchez le fil de l'émetteur en tirant doucement sur le fil au dos de la boîte.

Alignez les 4 trous en haut du pôle sur les 4 trous situés au bas du moteur.

Remarque: Un des trous se trouve à un niveau différent que les autres. Assurez-vous que tous les 4 trous s'alignent correctement

Insérez suffisamment les 4 petites vis afin de pouvoir retenir le moteur. Elles seront complètement serrées à la fin de l'étape 7.

Remarque: Ne pas replacer le panneau d'accès au moteur avant l'étape 13

Étape 6: Fixer l'ensemble pôle-moteur à la tablette de support

Insérez l'extrémité du pôle ne comportant pas de trous sur la conduite de gaz en veillant à ne pas tordre la conduite de gaz.

Glissez le pôle dans le col de la tablette de support afin que le pôle repose complètement sur la tablette de support.

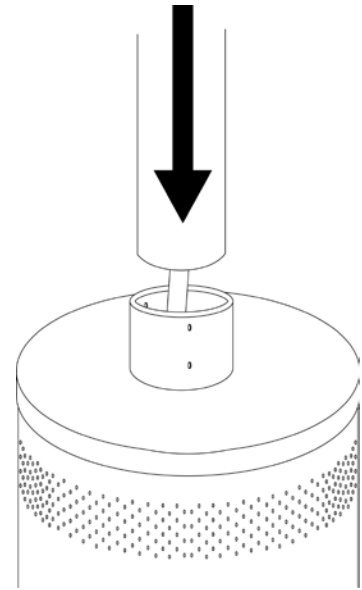
Serrez les trois vis de réglage avec la clé hexagonale (Allen) fournie.

Assurez-vous que le pôle est perpendiculaire au socle.

Utilisez les trois vis de réglage supérieures afin de régler l'angle du pôle si nécessaire.

Serrez les six vis de réglage.

Remarque: Le pôle doit être perpendiculaire au socle. Le non-respect de cette consigne risquera de nuire au rendement du brûleur.



Étape 7: Raccorder la conduite de gaz au moteur

Raccordez la conduite de gaz à la valve de contrôle.

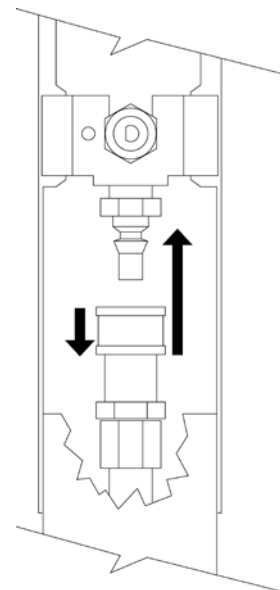
Tirez sur le col de la conduite de gaz.

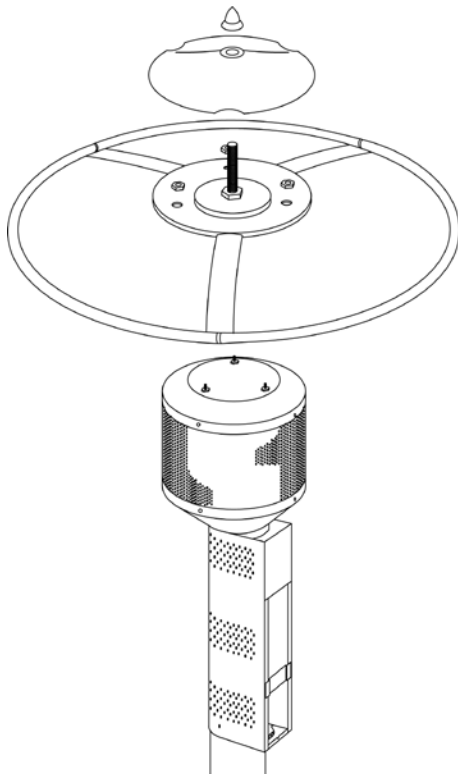
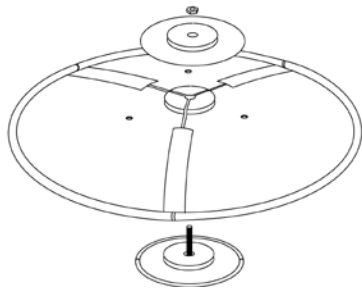
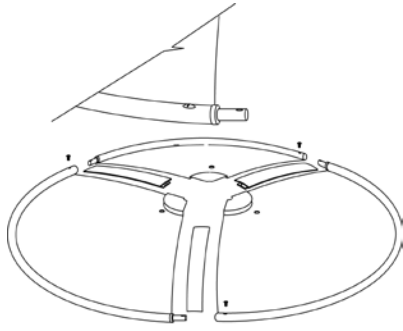
Introduisez la conduite de gaz par-dessus la valve de contrôle.

Relâchez le col et il devrait se bloquer en place. (Conseil: Poussez vers le haut sur la conduite de gaz à partir du bas du pôle afin que le col soit bien assis lorsque vous le relâchez.)

Tirez doucement sur la conduite afin de vous assurer que le raccord a été effectué correctement. Si la conduite de gaz bouge, le raccord a été mal effectué. Ne continuez pas tant que le raccord n'est pas parfait.

Serrez complètement les 4 vis de l'étape 5.





Étape 8: Assembler le dôme

Remarque: Chaque partie du dôme comporte une cheville montée dans le fond du bord roulé. Si nécessaire, desserrez chaque vis avant de continuer afin de faciliter l'alignement puis resserrez après avoir aligné chaque section.

- Avec le grand côté vers le haut, glissez une des nervures du dôme sur le côté comportant la cheville. Joignez deux sections du dôme en les glissant, en laissant l'extrémité de la cheville visible glisser dans le bord roulé de la section suivante du dôme. Alignez le trou du dôme avec le trou fileté de la cheville.
- Introduisez une vis destinée au dôme et introduisez-la sans serrer.
- Répétez l'opération afin de terminer l'assemblage des trois sections.
- Glissez le boulon du dôme dans la plaque inférieure (comportant la petite bosse), en veillant à ce que le bord roulé soit vers le bas.
- Glissez le boulon de l'étape précédente dans l'ouverture centrale des trois sections du dôme ayant été assemblées, et assurez-vous que le bord roulé de la plaque s'encastre dans les extrémités des trois nervures du dôme. Assurez-vous également que les fentes de la plaque s'alignent avec les trous des sections du dôme.
- Glissez l'autre plaque afin de la placer sur le boulon central avec le bord roulé vers le haut, en veillant à nouveau à ce que la plaque s'encastre dans les nervures et que les trous s'alignent avec les trous du dôme.
- Vissez l'écrou de taille moyenne jusqu'en bas du boulon, afin de retenir toutes les pièces, et assurez-vous que toutes les petites bosses viennent se placer les unes à l'intérieur des autres.
- Serrez complètement toutes les vis du bord roulé.

Étape 9: Fixer le dôme à l'émetteur

Alignez les trous du dôme avec les tiges de l'émetteur et placez le dôme. Fixez le dôme avec trois écrous.

Placez le chapeau du dôme sur le boulon central en veillant à ce que les trois fentes du chapeau reposent chacune sur les nervures.

Filetez le fleuron et vissez-le.

**Pour toute assistance appeler le 1.800.762.1142
Ne pas retourner cet appareil au point de vente.**

Charmglow®

Étape 10: Fixer la conduite de gaz

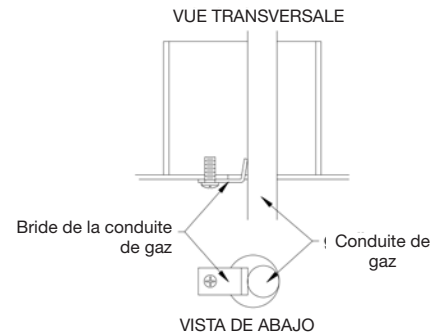
Assurez-vous que l'angle de la bride de la conduite de gaz ressorte par le grand trou de la tablette de support.

Serrez la vis jusqu'à ce que la conduite de gaz soit fermement fixée.

Placez l'appareil debout.

Attention:

Avant d'utiliser la bonbonne de propane, il est indispensable de comprendre toutes les consignes de sécurité de la section 1 - « La sécurité avant tout! »



Étape 11: Raccorder la conduite de gaz à la bonbonne

Utilisez uniquement le régulateur de pression et le tuyau fournis avec l'appareil. Les pièces et accessoires de rechange utilisés doivent être ceux spécifiés par le fabricant.

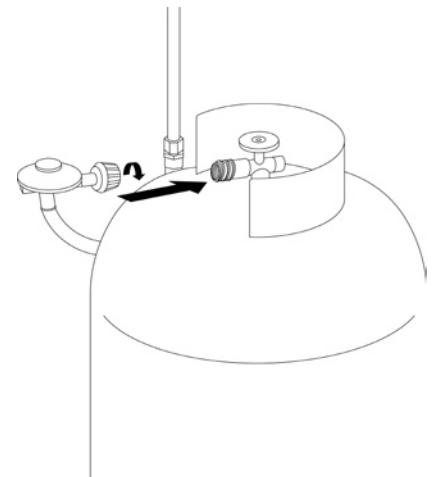
- Placez la bonbonne en la glissant sur le socle de l'appareil.
- Raccordez la conduite de gaz à la bonbonne en tournant le bouton noir en plastique situé au-dessus de la valve de la bonbonne en serrant dans le sens des aiguilles d'une montre.

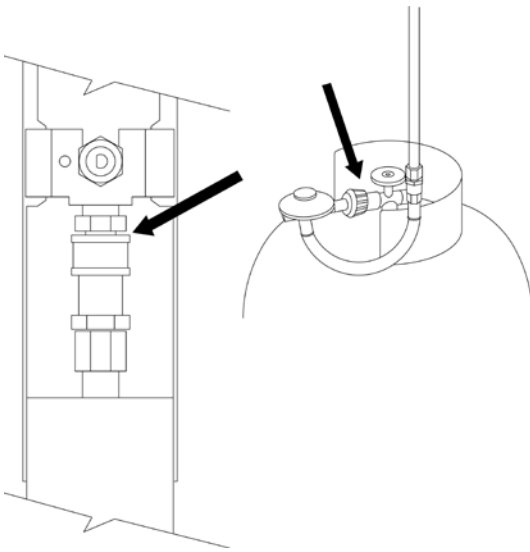
Remarque: Veillez à ne pas tordre le tuyau flexible de la conduite de gaz.

- Fixez la bonbonne en place en raccordant l'extrémité libre de la chaîne de retenue de la bonbonne au trou du pied droit.

Attention:

Le Radiateur extérieur Charmglow® a été vérifié en usine afin de s'assurer que les raccords ne présentent aucune fuite. Vérifiez à nouveau tous les raccords car il est possible qu'ils se soient desserrés lors du transport. Vérifiez que l'appareil ne présente aucune fuite même si ce dernier a été assemblé pour vous au magasin.





Étape 12: Rechercher une fuite potentielle

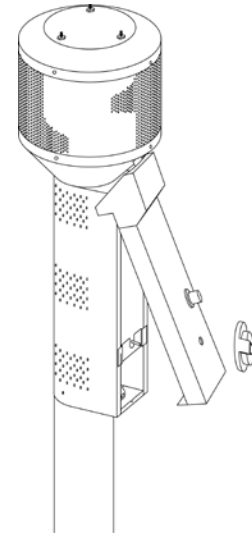
- Préparez une solution d'environ 80 ml destinée à détecter les fuites en mélangeant un volume de liquide à vaisselle et 3 volumes d'eau.
- Ouvrez la valve de la bonbonne (ON).
- Vérifiez que la conduite de gaz et la valve de contrôle ne présentent pas de fuites:
- À l'aide d'une cuillère, versez quelques gouttes de la solution sur le raccord de la conduite de gaz et de la valve de contrôle.
- Vérifiez si des bulles apparaissent au niveau des raccords.
- Si les raccords NE présentent PAS de bulles, le raccord est étanche.
- Si des bulles apparaissent, vous venez de découvrir une fuite :
- Fermez la valve de la bonbonne (OFF).
- Desserrez la vis de la bride.
- Desserrez la pièce de raccord retenant la conduite de gaz à la bonbonne et effectuez à nouveau le raccord en vous assurant que le raccord est étanche (voir étape 7).
- Serrez à nouveau la bride.
- Si des bulles persistent après plusieurs tentatives, appelez le 1.800.762.1142.

Vérifier la conduite de gaz et la bonbonne:

- Ouvrez la valve de la bonbonne (ON).
- À l'aide d'une cuillère, versez quelques gouttes de la solution sur le raccord de la conduite de gaz et de la valve de contrôle de la bonbonne.
- Vérifiez si des bulles apparaissent au niveau des raccords.
- Si les raccords NE présentent PAS de bulles, le raccord est étanche.
- Si des bulles apparaissent, vous venez de découvrir une fuite :
- Fermez la valve de la bonbonne (OFF).
- Desserrez la pièce de raccord retenant la conduite de gaz à la bonbonne et effectuez à nouveau le raccord en vous assurant que le raccord est étanche (voir étape 11).
- Si des bulles persistent après plusieurs tentatives, appelez le 1.800.762.1142.
- Fermez la valve de la bonbonne (OFF).

Étape 13: Replacer le panneau d'accès au moteur

- Glissez le fil d'allumage sur le pôle comportant l'allumeur.
- Glissez la languette située sur le dessus du panneau d'accès dans la fente au bas de l'émetteur.
- Tournez le panneau vers le bas jusqu'à ce que les trous s'alignent sur la partie inférieure.
- Fixez le panneau d'accès en place avec la vis à oreilles qui a été retirée auparavant.
- Remplacez le bouton de contrôle.

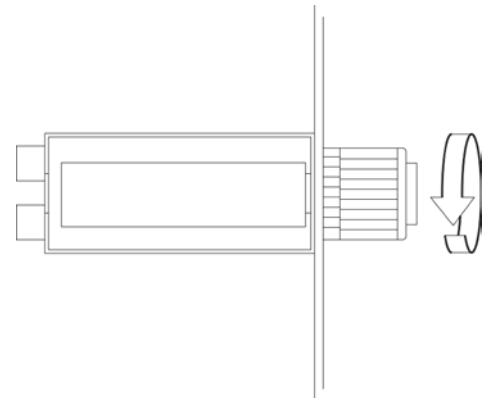


Étape 14: Installer la pile de l'allumeur

Remarque: Cette étape est uniquement nécessaire pour les modèles à allumage électronique.

- Retirez le capuchon de l'étui protecteur de la pile en le tournant dans le sens inverse à celui des aiguilles d'une montre.
- Placez une (1) pile alcaline AA dans le compartiment. Le pôle négatif de la pile doit être inséré en premier.
- Remplacez le capuchon de l'étui en le tournant dans le sens des aiguilles d'une montre.

Remarque: Après avoir terminé les étapes 1 à 14, vous pouvez à présent utiliser le radiateur extérieur.





MISE EN GARDE

POUR VOTRE SÉCURITÉ:

- **NE PAS tenter d'utiliser l'appareil avant de lire et comprendre toutes les consignes de sécurité de la section 1 - « La sécurité avant tout! ». Le non-respect de cette consigne risque d'entraîner des dommages matériels, des blessures graves voire la mort.**
- **Si vous n'arrivez pas à allumer le brûleur et si vous sentez une odeur de gaz, attendez 5 minutes afin que le gaz se dissipe avant de tenter de rallumer le radiateur extérieur.**
- **NE PAS toucher l'émetteur, le dôme ni tenter de déplacer l'appareil avant d'attendre au moins 45 minutes après avoir éteint l'appareil.**

Fonctionnement

Attention: NE PAS tenter d'utiliser l'appareil avant de lire et de comprendre toutes les consignes de sécurité de la section 1 - « La sécurité avant tout! ».

Avant d'ouvrir le gaz (ON)

- Votre radiateur extérieur a été conçu et approuvé afin d'être UTILISÉ À L'EXTÉRIEUR UNIQUEMENT. NE PAS utiliser l'appareil à l'intérieur d'un immeuble, garage ou tout autre espace fermé.
- Assurez-vous que le périmètre autour de l'appareil est dépourvu de matières combustibles, d'essence et d'autres liquides présentant des vapeurs ou émanations inflammables.
- Assurez-vous que rien ne gêne la ventilation.
- Assurez-vous que tous les raccords de gaz sont serrés et ne présentent aucune fuite.
- Assurez-vous que le panneau d'accès ne comporte pas de débris.
- Assurez-vous que toutes les pièces ayant été retirées lors de l'assemblage ou de l'entretien ont été replacées et fixées avant d'utiliser l'appareil.

Avant d'allumer l'appareil

- Inspectez complètement le radiateur extérieur avant chaque utilisation et faites en sorte qu'un réparateur agréé inspecte l'appareil une fois par an.
- Si vous devez rallumer un radiateur déjà chaud, attendez au moins 5 minutes afin que le gaz se dissipe.
- Vérifiez le tuyau afin de vous assurer qu'il n'est pas fendu et ne présente pas d'usure excessive. Testez les parties douteuses afin de vous assurer qu'elles ne présentent pas de fuite. Si le tuyau fuit, remplacez-le avant d'utiliser l'appareil. Utilisez uniquement un tuyau de rechange homologué par le fabricant.

Allumer l'appareil

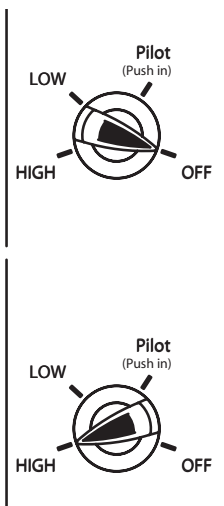
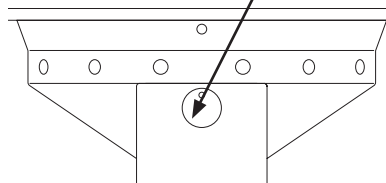
Remarque: L'appareil est équipé d'une veilleuse qui facilite la mise en marche et l'arrêt de l'appareil. La veilleuse doit être allumée avant de pouvoir mettre en marche le brûleur principal.

- Fermez la valve de la bonbonne (OFF).
- Pressez le bouton de contrôle et tournez-le sur « OFF ».
- Attendez 5 minutes pour que le gaz se dissipe.
- Ouvrez la valve de la bonbonne (ON).
- Ouvrez le trou d'inspection en glissant le cache vers un côté ou de l'autre.
- Pressez le bouton de contrôle et tournez-le jusqu'à la position de la veilleuse (Pilot).

Remarque: Pour allumer la première fois ou après avoir changé de bonbonne, maintenez le bouton de contrôle enfoncé pendant 2 minutes afin de purger l'air des conduites de gaz avant de commencer.

- Poussez le bouton d'allumage une fois. La flamme de la veilleuse apparaîtra et sera visible dans le trou d'inspection.
- Relâchez le bouton de contrôle après 30 secondes. La veilleuse demeurera allumée. Si elle ne demeure pas allumée, reprenez l'étape 1.

Trou d'inspection



- Réglez le bouton de contrôle sur « ON ». Le brûleur principal s'allumera immédiatement. La flamme sera visible dans le trou d'inspection. Dans le cas contraire, reprenez à partir de l'étape 1.
- Si pour une raison quelconque l'allumeur ne produit pas d'étincelle, votre système de chauffage peut être allumé en insérant une allumette dans le trou d'inspection tout en maintenant le bouton de contrôle enfoncé pendant qu'il se trouve sur la position de la veilleuse (PILOT).

En cas de problème avec l'allumage, reportez-vous au Guide de Dépannage de la page 17.

Attention: Évitez de respirer les vapeurs et émanations de l'appareil lorsque vous l'utilisez pour la première fois. La fumée et l'odeur résultant de la combustion de l'huile ayant été utilisée lors de la fabrication de l'appareil se dissiperont après environ 30 minutes. Le radiateur extérieur NE devrait PAS produire de fumée noire.

Remarque: Le brûleur risque d'être bruyant lorsque vous l'allumez pour la première fois. Pour éviter tout bruit excessif du brûleur, réglez le bouton de contrôle sur la position de veilleuse (PILOT). Ensuite, réglez le bouton sur le niveau de chaleur désiré.

Lorsque l'appareil est allumé (ON):

La grille de l'émetteur deviendra rouge vif en raison de l'intensité de la chaleur. La couleur est plus visible la nuit.

Des flammes bleues et jaunes apparaîtront au niveau du brûleur. Ces flammes ne devraient pas être jaunes ni produire de fumée noire. En présence de fumée noire épaisse, le flux d'air à l'intérieur de la tubulure des brûleurs est bloqué. La flamme devrait être bleue avec des crêtes jaunes.

Si les flammes sont excessivement jaunes, éteignez l'appareil et consultez le Guide de Dépannage de la page 17.

Rallumer l'appareil

Remarque: Pour votre sécurité, le bouton de contrôle ne peut être placé sur « ON » (marche) sans presser tout d'abord le bouton de contrôle sur la position "PILOT" (veilleuse) et ensuite le tourner sur « OFF » (arrêt).

Réglez le bouton de contrôle sur « OFF » (arrêt).

Attendez 5 minutes afin que le gaz se dissipe avant de rallumer la veilleuse.

Reprenez les étapes de la section « Allumer l'appareil » de la page précédente.

Éteindre l'appareil

Tournez le bouton de contrôle dans le sens des aiguilles d'une montre jusqu'à la position de la veilleuse (PILOT). (Normalement, le brûleur émettra un léger bruit de claquement lors de son extinction). Le brûleur s'éteindra mais la veilleuse demeurera allumée (ON).

Pour éteindre la veilleuse, pressez le bouton de contrôle et continuez à le tourner dans le sens des aiguilles d'une montre jusqu'à « OFF » (arrêt).

Tournez la valve de la bonbonne sur « OFF » (arrêt) et débranchez le régulateur lorsque vous ne comptez pas utiliser le radiateur.

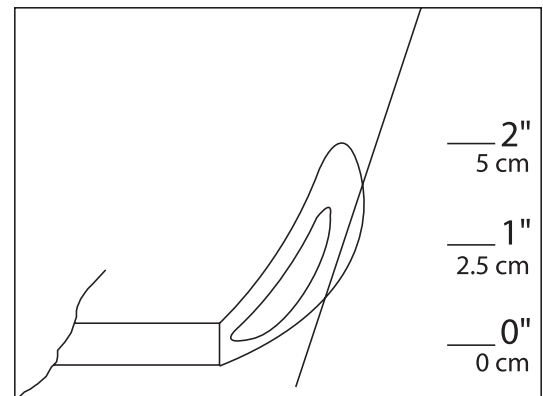
Remarque: Après utilisation, la grille de l'émetteur risque de légèrement se décolorer.



MISE EN GARDE

POUR VOTRE SÉCURITÉ:

Faites preuve de précaution lorsque vous tentez d'allumer manuellement ce radiateur extérieur. Si vous maintenez le bouton pressé pendant plus de 10 secondes avant d'allumer le gaz, cela provoquera une boule de feu lors de l'allumage.



MISE EN GARDE

POUR VOTRE SÉCURITÉ:

Le radiateur extérieur demeurera chaud après utilisation. Faire preuve d'une extrême précaution.

Vérifications à effectuer avant toute utilisation

Pour votre sécurité et votre bien-être, veuillez à toujours effectuer les vérifications suivantes à chaque fois avant d'utiliser le radiateur extérieur:

Avant d'allumer l'appareil

- Je me suis familiarisé avec le manuel d'exploitation et je comprends toutes les consignes de sécurité de la section « La sécurité avant tout! ».
- Toutes les pièces sont intactes et ont toutes été montées correctement.
- Aucune modification n'a été effectuée.
- Les conduites de gaz sont toutes fixées et ne présentent aucune fuite.
- La vitesse du vent est inférieure à 16 km/h
- La température extérieure est supérieure à 40°F (5°C).
- Le radiateur est installé à l'extérieur (hors de tout espace clos).
- La ventilation est bonne.
- Le radiateur extérieur se trouve loin de tout carburant, liquide et autres sources de vapeurs inflammables.
- Le radiateur extérieur est loin de fenêtres, bouches d'air, arroseurs automatiques et autres sources d'eau.
- Laissez toujours un espace d'au moins 36 po./91 cm (au-dessus) et de 24 po./61 cm (sur les côtés) entre le radiateur extérieur et toute matière combustible.
- Le radiateur extérieur se trouve sur une surface dure et à niveau.
- Il n'y a aucune trace de toiles d'araignées ou de nids d'insectes.
- Toutes les ouvertures des brûleurs sont propres.
- Tous les passages par où l'air circule sont propres.
- Les enfants, les animaux domestiques, les vêtements, les matières inflammables et autres articles risquant d'être endommagés par la chaleur rayonnante sont tous loin de l'appareil.
- Les enfants et les adultes à proximité savent que l'appareil génère des températures élevées et risquent de se brûler ou de voir leurs vêtements prendre feu.
- Les enfants et les adultes à proximité savent qu'ils ne faut pas toucher l'appareil pendant qu'il fonctionne et qu'il faut attendre qu'il ait refroidi pour le toucher.

Après toute utilisation

- La commande de gaz est fermée (OFF).
- La valve de la bonbonne de gaz est fermée (OFF).
- Débranchez le tuyau de gaz.
- L'appareil a été remis debout à l'abri.

Guide de dépannage

Problème:	Dans le cas suivant:	Pour corriger le problème:
La veilleuse ne s'allume pas. <i>Remarque: L'appareil fonctionne à un rendement moindre en dessous de 40°F (5°C).</i>	La valve de la bonbonne est fermée.	Ouvrez la valve.
	Orifice ou tube de veilleuse bouché.	Nettoyez ou remplacez l'orifice ou le tube de la veilleuse.
	Il y a de l'air dans la conduite de gaz.	Ouvrez et purgez la conduite de gaz (maintenir le bouton de contrôle enfoncé) pendant 1 à 2 minutes ou jusqu'à ce que vous sentiez une odeur de gaz
	La pression du gaz est basse même avec la valve de la bonbonne complètement ouverte.	Réglez la valve de la bonbonne sur « OFF » (arrêt) et remplacez la bonbonne
	L'allumeur ne fonctionne pas.	Utilisez une allumette pour allumer la veilleuse. Procurez-vous un nouvel allumeur et remplacez-le.
La veilleuse ne demeure pas allumée.	Accumulation de saleté autour de la veilleuse.	Nettoyez la saleté autour de la veilleuse.
	Le raccord entre la valve du gaz et la veilleuse est desserré.	Serrez le raccord et déterminez si ce dernier présente une fuite.
	Le thermocouple est défectueux.	Remplacez le thermocouple.
Le brûleur ne s'allume pas.	La pression de gaz est trop basse.	Réglez la valve de la bonbonne sur « OFF » et remplacez la bonbonne.
	L'orifice est bouché.	Débouchez l'orifice.
	Le bouton de contrôle n'est pas sur « ON » (marche).	Réglez le bouton de contrôle sur « ON »
La flamme du brûleur est basse.	La pression du gaz est basse.	Fermez la valve (OFF) et remplacez la bonbonne.
	La température extérieure est inférieure à 40°F (5°C) et le réservoir n'est plein qu'au 1/4 de sa capacité.	Utilisez une bonbonne pleine.
	Le tuyau d'alimentation du gaz est plié ou tordu.	Dépliez le tuyau.
	Le bouton de contrôle est complètement sur « ON » (marche).	Vérifiez que le brûleur et les orifices ne sont pas bouchés.
La lueur de l'émetteur n'est pas uniforme. <i>Remarque: La partie inférieure de 2,5 cm de l'émetteur NE présente PAS de lueur.</i>	La pression du gaz est trop basse.	Fermez la valve de la bonbonne (OFF) et remplacez la bonbonne.
	Le socle n'est pas sur une surface à niveau.	Placez le radiateur sur une surface à niveau.
	L'appareil est à niveau.	Nettoyez le brûleur.
Accumulation de carbone.	Saleté ou film sur réflecteur et émetteur.	Nettoyez le réflecteur et l'émetteur.
Fumée épaisse noire.	Le brûleur est bouché.	Retirez l'obstacle et nettoyez l'intérieur et l'extérieur du brûleur.



MISE EN GARDE

POUR VOTRE SÉCURITÉ:

- **NE PAS toucher ni déplacer l'appareil pendant au moins 45 minutes après l'avoir éteint.**
- **Le dôme est chaud au toucher.**
- **Laisser le dôme refroidir avant de le toucher.**

Entretien

Afin que votre radiateur extérieur puisse fonctionner à plein rendement pendant de longues années, procédez régulièrement à l'entretien de l'appareil:

Veillez à ce que les surfaces extérieures demeurent propres.

Utilisez de l'eau savonneuse tiède pour nettoyer. N'utilisez jamais des produits de nettoyage inflammables ou corrosifs.

Lorsque vous nettoyez l'appareil, assurez-vous que la zone autour du brûleur et de la veilleuse demeure toujours sèche. Si la commande de gaz est submergée dans de l'eau, NE PAS l'utiliser. Elle devra être remplacée.

Rien ne doit gêner le flux d'air. Veillez à ce que les commandes, le brûleur, et les ouvertures permettant la circulation de l'air demeurent propres. Les indices permettant de déterminer qu'une de ces pièces est bouchée sont les suivants:

Il existe une odeur de gaz et la crête de la flamme est extrêmement jaune.

L'appareil n'atteint PAS la température désirée.

La lueur de l'appareil n'est pas du tout uniforme.

L'appareil émet des bruits de claquement.

Les araignées et les insectes peuvent s'introduire dans le brûleur et les orifices de l'appareil. Ces obstacles risquent de provoquer des problèmes et de présenter un danger lors de l'utilisation de l'appareil. Nettoyez les ouvertures du brûleur en utilisant un déboureur-pipe. Il est possible d'utiliser de l'air comprimé afin de déloger les petites particules.

Les résidus de carbone risquent de provoquer un incendie. Nettoyez le dôme et le moteur avec de l'eau tiède savonneuse pour nettoyer des résidus de carbone.

Remarque: Dans une atmosphère saline (à proximité de la mer), les traces de rouille apparaissent plus vite qu'à la normale. Vérifiez régulièrement que l'appareil ne présente pas de points de rouille et réparez-les rapidement si nécessaire.

CONSEIL:

Utilisez un lustrant automobile afin que votre radiateur extérieur conserve son brillant. Appliquez le produit sur les surfaces extérieures du pôle vers le bas. N'appliquez pas de produit de lustrage sur la grille de l'émetteur ni sur le dôme.



Remisage

Entre chaque utilisation:

Réglez le bouton de contrôle sur « OFF » (arrêt).

Débranchez la bonbonne de propane.

Remisez l'appareil en le plaçant debout à l'abri des intempéries (la pluie, la pluie verglaçante, la grêle, la neige, la poussière et autres débris).

Si vous le souhaitez, recouvrez le radiateur extérieur afin de protéger ses surfaces extérieures.

Remarque: attendez que le radiateur extérieur ait refroidi avant de le couvrir.

Si vous ne comptez pas utiliser l'appareil pendant une longue période ou lors de son transport:

Réglez le bouton de contrôle sur « OFF » (arrêt).

Débranchez la bonbonne de propane et placez-la à l'extérieur dans un endroit bien aéré.

Remisez l'appareil en le plaçant debout à l'abri des intempéries (la pluie, la pluie verglaçante, la grêle, la neige, la poussière et autres débris).

Si vous le souhaitez, recouvrez l'appareil afin de protéger les surfaces extérieures.

Ne laissez jamais une bonbonne ou une cartouche de propane en plein soleil ou en contact direct avec une chaleur excessive.

Remarque: attendez que le radiateur extérieur ait refroidi avant de le couvrir.

Service après-vente

Pour toute assistance afin de vous procurer des pièces de rechange ou afin de pouvoir réparer des pièces endommagées ou défectueuses, appelez le 1.800.762.1142 ou contactez notre service à la clientèle par courrier électronique à CustomerService@BlueRhino.com. Veuillez fournir le numéro du modèle et son numéro de série. Ces numéros se trouvent sur une étiquette au dos du carénage de protection de la valve.

Attention: Utilisez uniquement des pièces de rechange d'origine. Le non-respect de cette consigne ainsi que toute modification des pièces risque d'annuler la garantie et de créer des conditions dangereuses.

Attention: Laissez le radiateur extérieur refroidir avant de procéder à son entretien ou à sa réparation.

Enregistrement de l'appareil

Veuillez enregistrer votre appareil immédiatement sur le site internet www.BlueRhino.com ou appelez le 1.800.762.1142.

Garantie limitée

La société Blue Rhino Sourcing, LLC (“le fabricant”) garantit cet article au premier acheteur au détail contre tout vice de fabrication et matériau de fabrication défectueux pendant un (1) an à partir de la date d’achat si cet article est monté et utilisé conformément aux instructions fournies. Le fabricant vous demandera sans doute une preuve raisonnable d’achat datée, veuillez donc conserver votre facture ou votre reçu. Cette garantie limitée se limitera à la réparation ou au remplacement de pièces ayant été déterminées défectueuses par le fabricant lors de conditions d’utilisation et d’entretien normales. Avant de renvoyer une pièce, contactez le service à la clientèle du fabricant (Customer Service Department). Si le fabricant confirme le défaut de fabrication et approuve la réclamation, ce dernier remplacera gratuitement les dites pièces. Si vous devez renvoyer des pièces défectueuses, les pièces devront être expédiés port-payé. Le fabricant s’engage à renvoyer les pièces à l’acheteur port-payé

Cette garantie limitée ne couvre pas les pannes et dysfonctionnements survenant suite à tout accident, mauvais usage, entretien incorrect de cet article, ou toute modification, mauvaise installation ou négligence comme il a été établi dans ce manuel. De plus, cette garantie limitée ne couvre pas le fini, à savoir les rayures, les bosses, les traces de décoloration, de rouille ou les dommages résultant des intempéries après achat de l’article.

Cette garantie remplace toute autre garantie expresse et il n’existe aucune autre garantie expresse à l’exception de la couverture indiquée ici. Le fabricant désavoue toute garantie couvrant des produits ayant été achetés auprès de revendeurs autres que les revendeurs et distributeurs agréés y compris toute garantie de commerciabilité et d’adaptation à un usage particulier. LE FABRICANT DÉCLINE ÉGALEMENT TOUTE GARANTIE IMPLICITE Y COMPRIS TOUTE GARANTIE DE COMMERCIALITÉ ET d’adaptation à un usage particulier. LE FABRICANT NE POURRA ÊTRE TENU responsable PAR L’ACHETEUR OU UN TIERS POUR TOUS DÉGÂTS ET DOMMAGES PARTICULIERS, INDIRECTS, PUNITIFS OU CONSÉCUTIFS. De plus, le fabricant désavoue toute garantie expresse ou implicite et décline toute responsabilité en cas de défaut de fabrication résultant d’un tiers.

Cette garantie limitée octroie des droits juridiques spécifiques à l’acheteur et il est possible que ce dernier en possède d’autres selon sa localité. Certaines juridictions ne permettent pas l’exclusion ni la limitation de dommages consécutifs ou accessoires et ces limitations peuvent ne pas être applicables à tous.

Le fabricant ne permet en aucun cas à une personne ou à une société de s’attribuer les responsabilités et les obligations liées à la vente, l’installation, l’utilisation, la dépose ou le remplacement de cet article, et aucune de ces représentations n’engage la responsabilité du fabricant.

Blue Rhino Sourcing, LLC
Winston-Salem, North Carolina 27104, États-Unis
1.800.762.1142
CustomerService@BlueRhino.com

**Pour toute assistance appeler le 1.800.762.1142
Ne pas retourner cet appareil au point de vente.**



Caractéristiques techniques

Certifications

Homologation internationale CSA 5.90
Norme canadienne CAN 1-2.23-M82 (Canadian National Standard)

Puissance:

Débit calorifique maximum: 40,000 BTU/heure

Périmètre chauffé:

Jusqu'à 6 mètres de diamètre.

Combustible:

Propane liquide (gaz LP)

Type de bonbonne:

20 lbs / 5 galons (9 kg / 18,9 litres)

Pression du gaz d'alimentation:

Maximum – 150 PSI
Minimum – 5 PSI

Pression: tubulure

11 po. (279 mm) de colonne d'eau.

Moteur:

IPP E8

Dispositif de sécurité:

Extinction à 100% des brûleurs
Contacteur d'arrêt en cas d'inclinaison

Fabricant:

Blue Rhino Global Sourcing, LLC

Lieu de fabrication:

Chine

Manufactured in China for:
Blue Rhino Global Sourcing, LLC
Winston-Salem, NC 27104 USA
1.800.762.1142, www.bluerhino.com

© 2006 Blue Rhino Global Sourcing, LLC. All Rights Reserved

Charmglow is a registered trademark of Homer TLC, Inc

Fabriqué en Chine pour:
Blue Rhino Global Sourcing, LLC
Winston-Salem, NC 27104 ETATS-UNIS
1.800.762.1142, www.bluerhino.com

© 2006 Blue Rhino Global Sourcing, LLC. Tous droits réservés

Charmglow est une marque de commerce déposée de Homer TLC, Inc.

200605C-OM-102 EF